

# CHAIN DISK FEED DELIVERY

## AUTOMATED PRODUCTION SYSTEMS



# feed delivery

## adapt and overcome

Chain Disk feed delivery systems have the flexibility to adapt to all types of swine production facilities and the ability to overcome the performance and reliability constraints of other systems.



### **FLEXIBLE DESIGN** ▲

Chain Disk is ideally suited to delivering feed to multiple farrowing rooms, individual sow stalls, electronic sow feed systems and the high volume demands of large finishing facilities.



### **GENTLE ON FEED** ▲

The gentle conveying method limits damage to expensive pelleted rations and prevents particle separation in ground feed rations.



### **QUALITY COMPONENTS** ▲

Chain Disk's rugged design, quality components and unique control system enable it to outperform the competition in capacity, distance and durability.



# CHAIN DISK FEED DELIVERY

## AUTOMATED PRODUCTION SYSTEMS

dependable  
automated operation



### HEAVY-DUTY DRIVE UNITS ▲

Chain Disk drive units are constructed of corrosion resistant 304 stainless steel and feature heavy duty, high efficiency, helical bevel gearboxes. High efficiency means more torque with less horsepower decreasing operating cost without sacrificing performance.



### AUTO TENSIONING ▲

Chain Disk drive units feature an automatic chain tensioning system to reduce maintenance and a safety shut off switch to shut down the system if it becomes plugged by a foreign object.



### CLEAR CORNER HOUSINGS ▲

Clear corner housings provide visual confirmation the system is operating properly at all times. The patent pending pivoting wiper insures that feed does not accumulate in the center of the corner housing. Special corner units are available for inclined or vertical installation.



\* Patent Pending

## CHAIN DISK TUBING

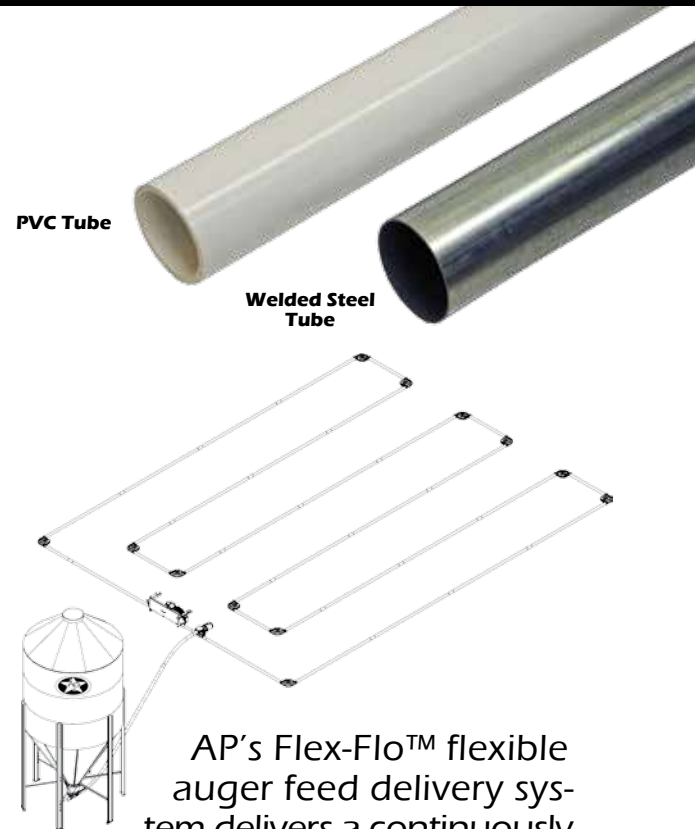
Chain Disk is available with three styles of conveyor tubes to meet the requirements of every application.

- **PVC Tube** – Corrosion free and quick and easy to install, ideal for farrowing and other low volume applications
- **Welded Steel Tube** – Ideal for high volume applications like finishing and electronic sow feeding

Chain Disk Tube	Fill System	Daily Run Time	Effective Capacity*	Max. System Length** (w/ 8 corners)
PVC Tube	M300 Flex-Flo 250 RPM	Up to 100 min/day	Up to 35 lbs (16 kg)/min.	1,500 ft. (460 m)
Welded Steel Tube	M300 Flex-Flo 250 RPM	Up to 240 min/day	Up to 35 lbs (16 kg)/min.	1,800 ft. (550 m)
	M300 Flex-Flo 358 RPM	Up to 240 min/day	Up to 50 lbs (23 kg)/min.	1,800 ft. (550 m)

\* Effective capacity will decrease as system length increases, effective capacity at maximum length is reduced by approximately 40%

\*\* Maximum system length will decrease by 25 ft. (8 M) for each additional corner that is added. Up to twenty-four corners can be used.



AP's Flex-Flo™ flexible auger feed delivery system delivers a continuously metered flow of feed from the bin to the Chain Disk system.

## QUALITY CHAIN

Durable, low friction nylon disks injection molded onto hardened steel chain provide years of trouble free service eliminating the maintenance and down time associated with cable style conveyors.



## TUBE SENSOR

A tube mounted sensor will shut down the system when feed returns to the inlet hopper indicating that all feeders have been filled. Chain Disk's sensor design eliminates the challenges caused by empty farrowing or nursery rooms and eliminates the task of correctly position sows in your breeding and gestation facilities to keep the feed system operating correctly.



## CHAIN DISK CONTROLLER

The Chain Disk Controller enables the feeding system to be programmed to operate how and when you want and constantly monitors the system to insure proper operation. Drive unit motor current is constantly monitored to insure that the system is not over loaded. When amp draw spikes, the Flex-Flo fill system is temporarily shut down by the controller until the drive unit motor amp draw decreases and normal operation resumes. A programmable maximum run timer will shut down the Chain Disk and the Flex-Flo systems if the system runs continuously for an excessive amount of time indicating that a bin is empty or a costly feed spill is occurring.

Available in two models, the APCD-500 features a 24 hour time clock and actuator outputs making it ideal for automated feeding in breeding and farrowing facilities, and the APCD-600 features continuous feeding making it the ideal controller for nurseries and finishing.

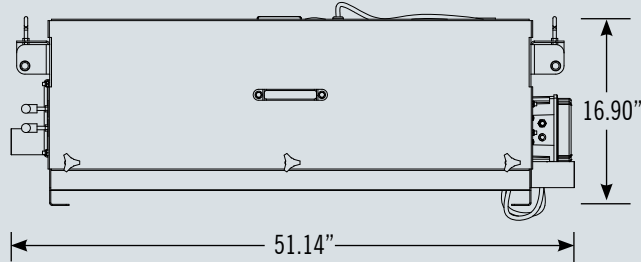


# CHAIN DISK FEED DELIVERY

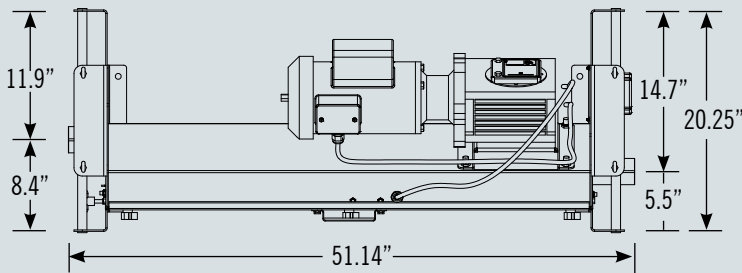
## AUTOMATED PRODUCTION SYSTEMS

### CHAIN DISK SYSTEM DIMENSIONS

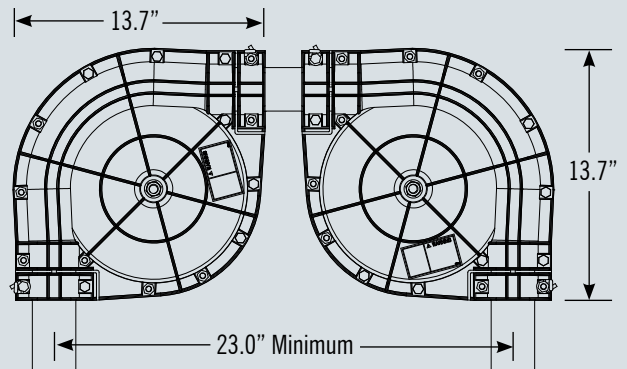
Front View



Top View



Corner Dimensions



### DROPS & DROP FEEDERS

Chain Disk systems can be equipped with a wide variety of AP's volumetric sow feeders and outlet drops including a pneumatic actuated unit for fully automated multi-ration feeding. Consider AP's Chain Disk for your next feed delivery system.



Econo-Drop Feeder



Ultra-Drop Feeder



Accu-Drop Feeder



Kwik Attach Outlet Drop



Rope Controlled Outlet Drop



Farrowing Drop Feeder

See your local AP representative for more information on AP's full line of feeding equipment.

## Your Source for Innovative Solutions.



Plot 218, Jalan Perindustrian Bukit Minyak 6,  
Kawasan Perindustrian Bukit Minyak,  
14100 Simpang Ampat, Penang, Malaysia.  
Tel: 604 505 7598 Fax: 604 505 9879



AP is a part of GSI, a worldwide Brand of AGCO  
© 2017 by AGCO GSI Malaysia | Due to continual improvements,  
AP reserves the right to change designs and specifications without notice.

For more information on AP's many products and services, contact your local representative or visit us online at:  
[www.gsiasia.net](http://www.gsiasia.net)