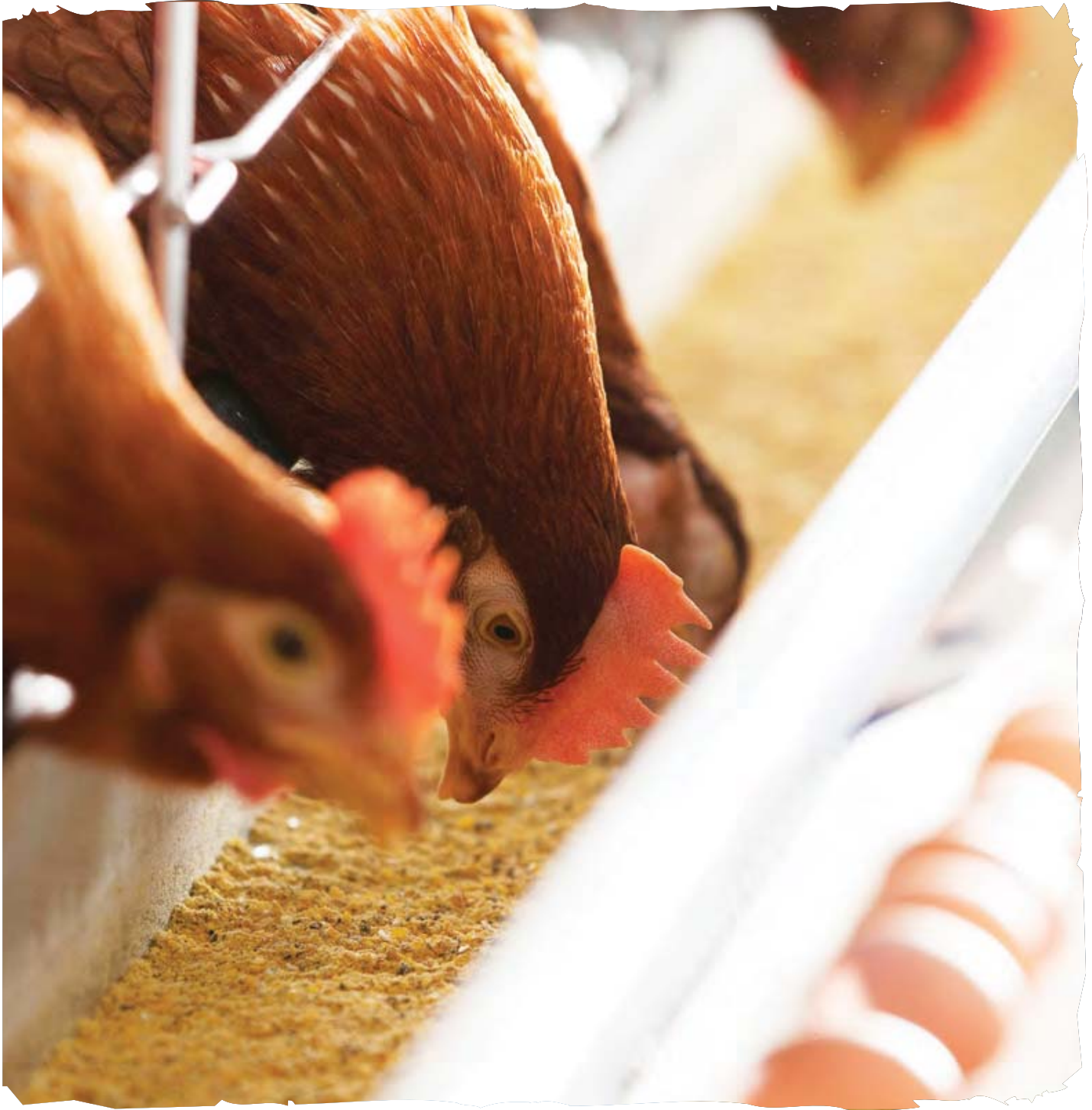
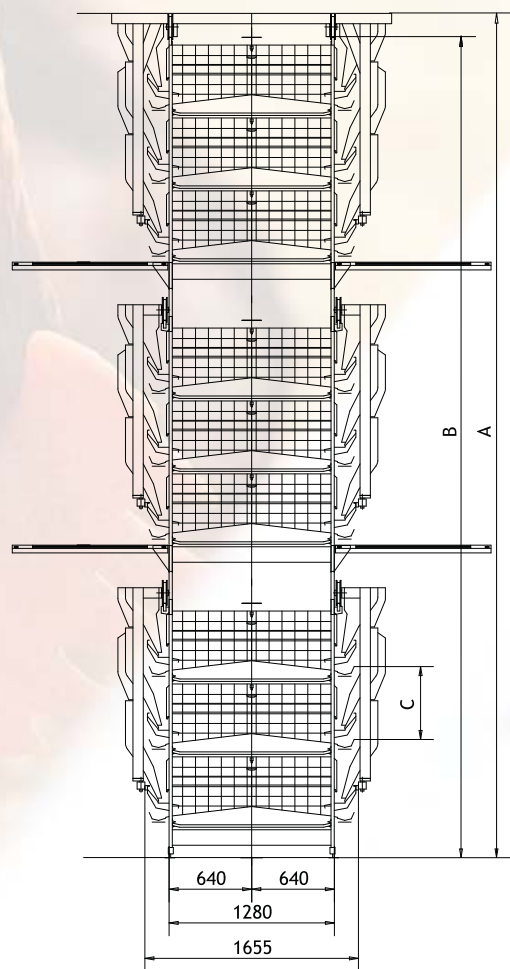
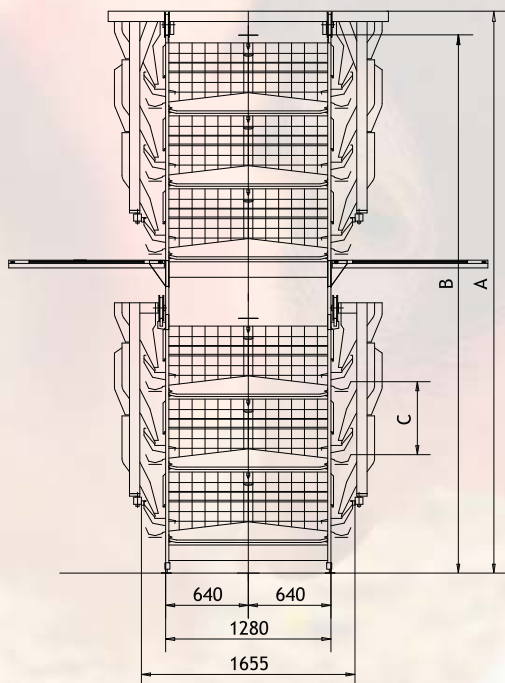
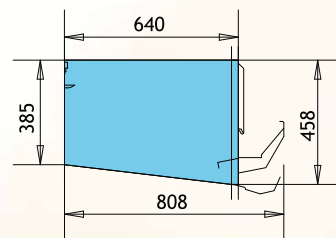
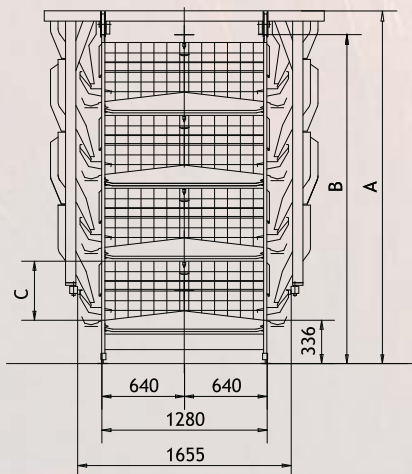


# UNIVERSAL 64

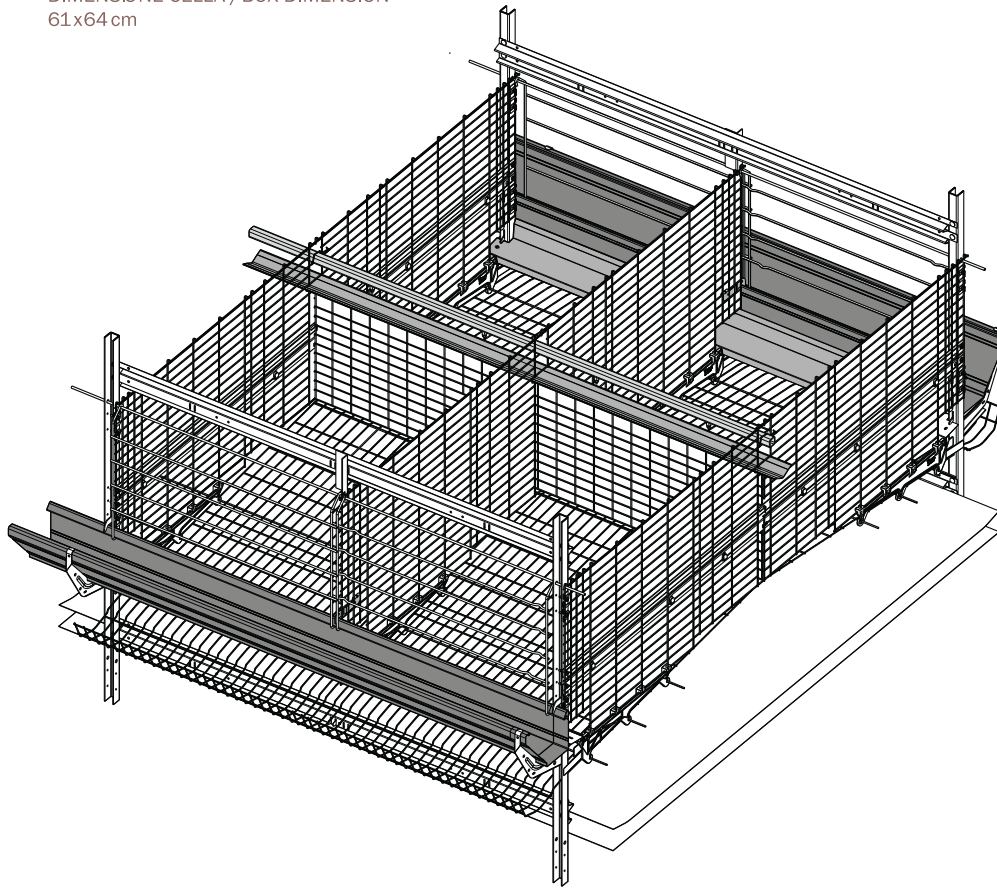


# UNIVERSAL 64



- A = altezza totale del sistema concarrello di alimentazione/cages height with feeding trolley  
B = altezza totale del sistema concatena piana di alimentazione/cages height with chain feeding  
C = passo gabbia/tier distance:  
565mm senza sistema di soffiaggio pollina/without drying manure system  
620mm con sistema di soffiaggio pollina/with drying manure system

DIMENSIONE CELLA / BOX DIMENSION  
61x64 cm



ALTEZZA BATTERIA/BATTERY HEIGHT

CON SOFFIAGGIO  
WITH DRYING SYSTEM

SENZA SOFFIAGGIO  
WITHOUT DRYING SYSTEM

UNIVERSAL 64	Passo/Tier distance 620 [C]		Passo/Tier distance 565 [C]	
	CATENA PIANA FLAT CHAIN (B)	CARRELLO TROLLEY (A)	CATENA PIANA FLAT CHAIN (B)	CARRELLO TROLLEY (A)
Larghezza/Width 1655 mm				
3 Piani/Tiers	2148	2334	1983	2169
4 Piani/Tiers	2768	2954	2548	2734
5 Piani/Tiers	3380	3574	3113	3299
6 Piani/Tiers	4008	4194	3678	3864
7 Piani/Tiers	4628	4814	4243	4429
6 Piani/Tiers+ solaio/walkway(3+3)	4650	4835	4345	4530
7 Piani/Tiers+ solaio/walkway(4+3)	5270	5455	4910	5095
8 Piani/Tiers + solaio/walkway (4+4)	5890	6075	5475	5660
9 Piani/Tiers + solaio/walkway (5+4)	6510	6695	6040	6225
10 Piani/Tiers + solaio/walkway (5+5)	7130	7315	6605	6790
11 Piani/Tiers + solaio/walkway (6+5)	7750	7935	7170	7355
12 Piani/Tiers + solaio/walkway (6+6)	8370	8555	7735	7920
9 Piani/ Tiers + 2 solai/walkways(3+3+3)	6883	7070	6359	6544
10 Piani/Tiers + 2 solai/walkways(4+3+3)	7503	7690	6924	7109
11 Piani/Tiers + 2 solai/walkways(4+4+3)	8123	8310	7489	7674
12 Piani/Tiers + 2 solai/walkways(4+4+4)	8743	8930	8054	8239



**AGCO GSI (Malaysia) Sdn.Bhd.** (392746-V)

Plot 218, Jalan Perindustrian Bukit Minyak 6,  
Kawasan Perindustrian Bukit Minyak,  
14100 Simpang Ampat, Penang, Malaysia.  
Tel: 604 505 7598 Fax: 604 505 9879



TECNO is a part of GSI, a worldwide Brand of AGCO  
Copyright © 2017 by AGCO GSI Malaysia | Due to continual improvement,  
GSI reserves the right to change designs and specifications without notice.

For more information on our many products and  
services, contact your local representative or visit us online at:

[www.gsiasia.net](http://www.gsiasia.net)