

# Evaporative Cooling

January 2018





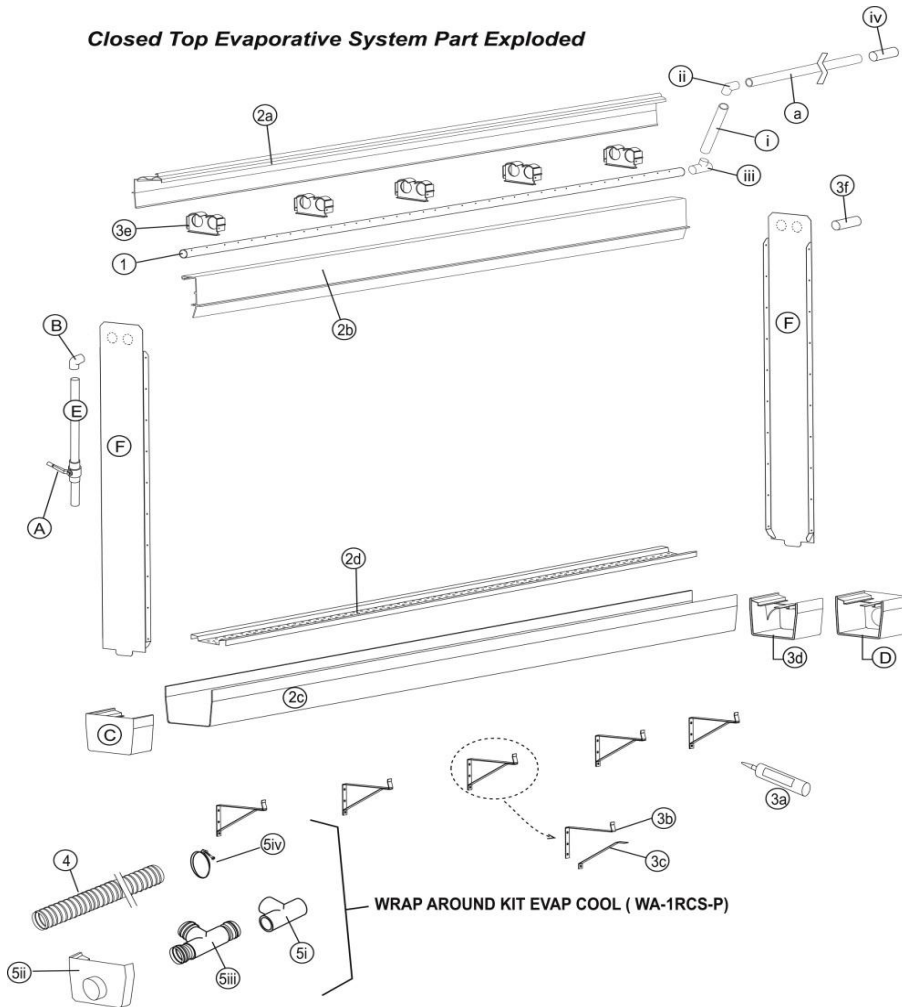
The following is Evap Cooling System whole good tables. Use these tables to verify the components and quantities needed for each system.

Open Top Aluminum Komfort Kooler System																				
Length	Part #	30	35	40	45	50	55	60	65	70	75	80	85	90	95	100	105	110	115	120
Base Kits	BK-66RCS-P-H1	1	1	1	1	1	1	1	1	1	1	1	1	1	1	1	2	2	2	2
	BK-65RCS-P-H1																			
Recirculating Systems	RCS-5-HA1		1		1		1		1		1		1		1		1		1	
	RCS-5-HB1																			
	RCS-10-P-HA1	1	1			1	1			1	1			1	1			1	1	
	RCS-10-P-HB1																			
Recirculating Sump Sys.	RCS-20-P-HA1	1	1	2	2	2	2	3	3	3	3	4	4	4	4	5	5	5	5	6
	RCS-20-P-HB1																			
Recirculating Sump Sys.	RSS-P	1	1	1	1	1	1	1	1	1	1	1	1	1	1	1	2	2	2	2
	RSS-P-H																			
	RSS-JET-P																			
Pumps	ECP-8X-3EXS	1	1	1	1	1	1	1	1	2	2	2	2	2	2	2	2	2	2	2
	ECP-8X-3EX-60																			
	1062-5027-HH																			
	1062-5027																			

Closed Top Komfort Kooler System																				
Length	Part #	30	35	40	45	50	55	60	65	70	75	80	85	90	95	100	105	110	115	120
Base Kits	BK-65RCS-P	1	1	1	1	1	1	1	1	1	1	1	1	1	1	1	2	2	2	2
	BK-66RCS-P																			
Recirculating Systems	RCS-5-PA		1		1		1		1		1		1		1		1		1	
	RCS-5-PB																			
	RCS-10-PA	1	1			1	1			1	1			1	1			1	1	
	RCS-10-PB																			
Recirculating Sump Sys.	RCS-20-PA	1	1	2	2	2	2	3	3	3	3	4	4	4	4	5	5	5	5	6
	RCS-20-PB																			
Recirculating Sump Sys.	RSS-P	1	1	1	1	1	1	1	1	1	1	1	1	1	1	1	2	2	2	2
	RSS-P-H																			
	RSS-JET-P																			
Pumps	ECP-8X-3EXS	1	1	1	1	1	1	1	1	1	2	2	2	2	2	2	2	2	2	2
	ECP-8X-3EX-60																			
	1062-5027-HH																			
	1062-5027																			

\*Evaporative Cooling Pads are not included within tables

\* Optional Center Feed Kit (Part # 60-0355-P) is available for systems over 60'



**Closed Top Evaporative Cooling System**

No	Part#	Description	Lbs.	Kgs.	Price
	BK-65RCS-P	6" EVAP BASE KIT 5' HT	13.53	6.15	169.81
	BK-66RCS-P	6" EVAP BASE KIT 6' HT	14.48	6.58	172.56
A	60-0073-PH	40MM CT B/VALVE S/STL HANDER	1.21	0.55	14.26
B	60-0075-P	40MM ELBOW PVC D CLASS BBB1	0.31	0.14	2.12
C	60-0268	TROUGH ENDCAP - FLUSH	0.92	0.42	16.12
D	60-0269	TROUGH END CAP NIPPLE	1.01	0.46	17.33
E	60-P0001	PVC PIPE 40MM X 6' 'E' BBB	2.90	1.32	8.16
F	60-0280	END PANEL 5' SUS, EVAP COOLING	0.00	0.00	44.93
F	60-0291	END PANEL 6' SUS, EVAP COOLING	5.72	2.60	61.12
	RCS-10-PA	EVAP COOL 10' SYS, 6" PAD	76.23	34.65	542.71
	RCS-10-PB	EVAP COOL 10' SYS, 6" PAD	76.23	34.65	515.49
1	60-0353-P	SPRAYBAR 40MM X 10'	4.62	2.10	15.27
2	60-P0007-10	10FT EVAP COOL PARTS	70.40	32.00	359.35
2a	60-0295	10' BACK TOP COVER	14.08	6.40	97.29
2b	60-0297	10' FRONT TOP COVER	10.12	4.60	97.49
2c	60-0299	10' TROUGH	22.88	10.40	111.55
2d	60-0301	10' TROUGH COVER	10.01	4.55	142.29
3	60-P0008-10A	10FT EVAP COOL ACC	11.51	5.23	138.98
3a	60-0334	PVC ADHESIVE-HEAVY BODY 16OZ.	0.79	0.36	42.07



3b	60-0347-2	TROUGH SUPPORT BRACKET BOTTOM	0.35	0.16	2.22
3c	60-0347-T1	TROUGH SUPPORT BRACKET TOP	1.19	0.54	6.41
3d	60-0267	TROUGH COUPLER	1.41	0.64	15.84
3e	60-0270A	SPRAYBAR SUPPORT BRACKET-ASSY	0.22	0.10	8.40
3f	60-0081-P	40MM D/E SOCKET 4MM BBB	0.18	0.08	1.27

**Wrap Around Kit Evap Cool**

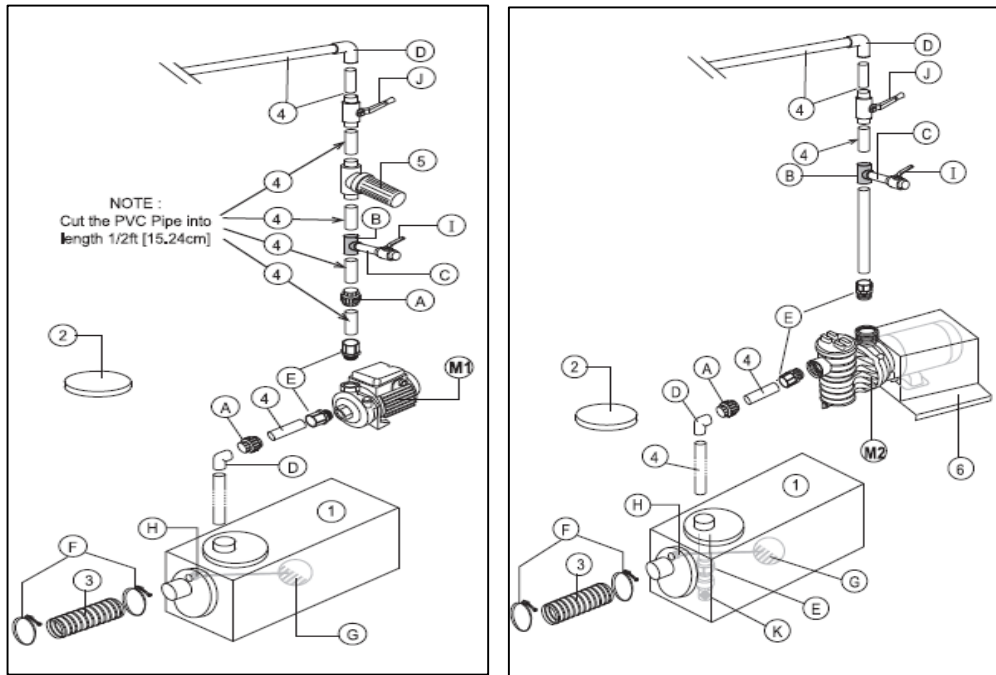
No	Part#	Description	Lbs.	Kgs.	Price
4	RCS-10-PA	EVAP COOL 10' SYS, 6" PAD	76.23	34.65	542.71
5	WA-1RCS-M	WRAP AROUND KIT HARDWARE PKG	5.15	2.34	57.34
5i	60-0019-P	TEE 40MM PVC BBB 'D'	0.18	0.08	2.16
5ii	60-0269	TROUGH END CAP NIPPLE	1.01	0.46	17.33
5iii	60-P0002	4" TEE PVC, SPECIAL	2.22	1.01	20.73
5iv	AP-0584-P	WIRE HOSE CLAMP 4.5"W/3" SCREW	0.09	0.04	3.96

**Center Kit Evap Cool**

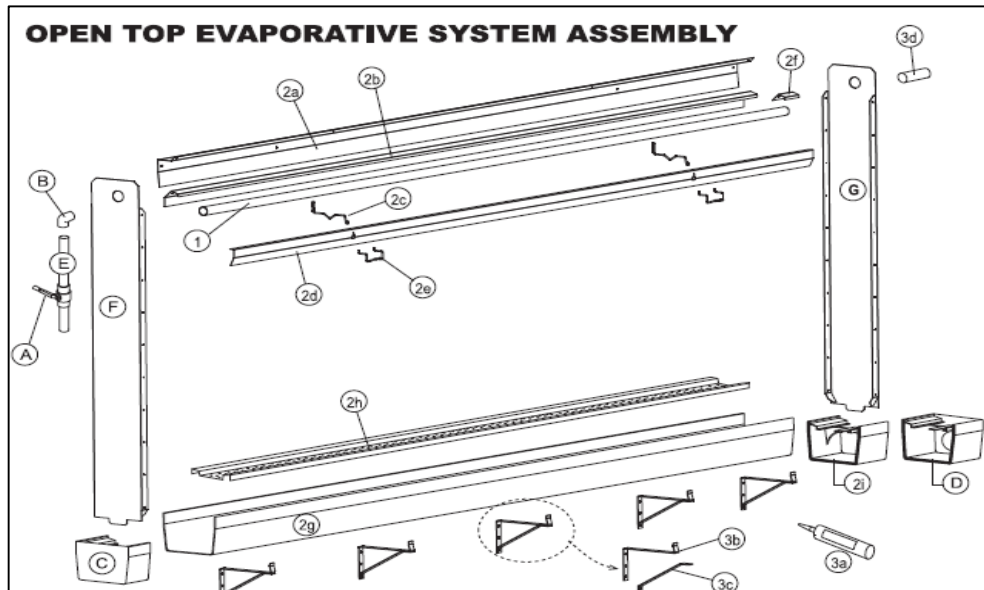
No	Part#	Description	Lbs.	Kgs.	Price
a	60-0080-P	40MM X 10' PVC PIPE 'E' BBB	4.84	2.20	16.27
	60-0355-M	CENTER FEED KIT, EVAP COOLING HARDWARE PKG	1.43	0.65	9.69
i	60-0082-P	PVC NIPPLE 40MM X 12"	0.07	0.03	1.79
ii	60-0075-P	40MM ELBOW PVC D CLASS BBB1	0.31	0.14	2.12
iii	60-0019-P	TEE 40MM PVC BBB 'D'	0.18	0.08	2.16
iv	60-0081-P	40MM D/E SOCKET 4MM BBB	0.18	0.08	1.27

**Cooling Pad**

Part#	Description	Lbs.	Kgs.	Price
KEP-66	EVAP PAD 6" X 6' HIGH	7.24	3.29	63.78
KEP-66-4515	EVAP PAD 6" X 6' HIGH FLUTE ANGLE 45/15	7.24	3.29	63.93
KEP-65	EVAP PAD 6" X 5' HIGH	6.05	2.75	53.18
KEP-65-4515	EVAP PAD 6" X 5' HIGH FLUTE ANGLE 45/15	6.05	2.75	53.18
KEP-65-24	EVAP PAD 24" X 6" X 5' HIGH (COATED)	7.00	3.18	129.45
KEP-66-C	EVAP PAD 6" X 6' HIGH (COATED)	7.04	3.20	78.56
KEP-66-C-4515	EVAP PAD 6" X 6' HIGH (COATED) FLUTE ANGLE 45/15	7.26	3.30	78.02



No	Part#	Description	Lbs.	Kgs.	Price
M1	ECP-8X-3EXS	EXTERNAL WATER PUMP 1HP 3PH 50HZ 415V	31.24	14.20	542.24
	RSS-P	RECIRCULATING SUMP SYSTEM	0.00	0.00	495.44
	RSS-P-H	RECIRCULATING SUMP SYSTEM - HH	62.06	28.21	489.74
1	60-0281P	TANK 36" X 18" X 18" RCS	29.26	13.30	207.96
	60-P0004	RSS SUM SYSTEM PARTS RSSB	10.52	4.78	161.47
	60-P0004-H	RSS SUM SYSTEM PARTS RSSB - HH	8.51	3.87	155.76
A	60-0025-P	40MM LD UNION COUPLING 4.4MM	0.66	0.30	9.98
B	60-0070-P	TEE 40X40X20MM REDUCER	0.26	0.12	4.88
C	60-P0005	NIPPLE 20MM X 4" PVC	0.09	0.04	1.42
D	60-0075-P	40MM ELBOW PVC D CLASS BBB1	0.31	0.14	2.12
E	60-0077	ADAPT 1 1/2" MALE SCH 40PVCA	0.13	0.06	2.83
F	AP-0584-P	WIRE HOSE CLAMP 4.5"W/3" SCREW	0.09	0.04	3.96
G	SCS-205	15MM (1/2") POLY FLOAT	0.13	0.06	1.09
H	SCS-206	1/2" TM MOH LIGHT DUTY BRASS B	0.44	0.20	10.69
I	60-0018-PH	20MM CT B/VALVE S/STL HANDER	0.35	0.16	6.34
J	60-0073-PH	40MM CT B/VALVE S/STL HANDER	1.21	0.55	14.26
K	60-0378	BROOZE FOOR VALVE FOR EXTERNAL PUMP	1.54	0.70	49.51
2	60-0377	TANK CAP 12 IN	0.92	0.42	53.23
3	60-0370	HOSE, PVC DISCHARGE 4" 1D X 5'	7.48	3.40	86.36
4	60-0080-P	40MM X 10' PVC PIPE 'E' BBB	4.84	2.20	16.27
5	60-0021	FILTER 1 1/2" WATER SCH 40	1.10	0.50	62.33
6	0404-4435H	FAB GS BASE PUMP MOTOR IC	4.27	1.94	16.01



**Open Top Evaporative System Assembly**

No	Part#	Description	Lbs.	Kgs.	Price
	BK-65RCS-P-H1	6" EVAP BASE KIT 5' HT - OPEN TOP	23.41	10.64	169.97
	BK-66RCS-P-H1	6" EVAP BASE KIT 6' HT - OPEN TOP	25.65	11.66	172.73
A	60-0073-PH	40MM CT B/VALVE S/STL HANDER	1.21	0.55	14.26
B	60-0075-P	40MM ELBOW PVC D CLASS BBB1	0.31	0.14	2.12
C	60-0268	TROUGH ENDCAP - FLUSH	0.92	0.42	16.12
D	60-0269	TROUGH END CAP NIPPLE	1.01	0.46	17.33
E	60-P0001	PVC PIPE 40MM X 6' 'E' BBB	2.90	1.32	8.16
F	7503656	END PANEL 5' SUS LEFT, EVAP COOLING OPEN TOP	5.94	2.70	35.99
	7503658	END PANEL 6' SUS LEFT, EVAP COOLING OPEN TOP	7.06	3.21	37.14
G	7503657	END PANEL 5' SUS RIGHT, EVAP COOLING OPEN TOP	5.94	2.70	35.99
	7503659	END PANEL 6' SUS RIGHT, EVAP COOLING OPEN TOP	7.06	3.21	37.14

No	Part#	Description	Lbs.	Kgs.	Price
	RCS-10-P-HA1	EVAP COOL 10' SYS - 6" PAD OPEN TOP	54.76	24.89	416.40
	RCS-10-P-HB1	SPRT BRKT	46.97	21.35	388.18
1	60-0353-P	SPRAYBAR 40MM X 10'	4.62	2.10	15.27
2	RCS-10-OTM	RECIRCULATING ALUMINIUM OPEN TOP COOLING	40.04	18.20	324.45
2a	60-0522-5	TOP BACK SUPPORT-OPEN TOP 5FT	2.35	1.07	23.41
2b	60-0520-5	SPRAY BAR DEFLECTOR-OPEN TOP 5FT	1.47	0.67	15.15
2c	60-0437	SPRAY BAR SUPPORT, SUS	0.11	0.05	4.30
2d	60-0519	10' PAD RETAINER, OPEN TOP SYSTEM,ALUMINUM	1.56	0.71	56.95
2e	60-0438	SPRAY BAR RETAINER, SUS	0.09	0.04	3.84
2f	60-0521	SPRAY BAR DEFLECTOR SPLICE	0.07	0.03	1.01
2g	60-0299	10' TROUGH	22.88	10.40	111.55
2h	60-0301	10' TROUGH COVER	10.01	4.55	142.29
2i	60-0267	TROUGH COUPLER	1.41	0.64	15.84
3	60-P0008-10-HA1	10FT EVAP COOL ACCESSORY - OPEN TOP	10.10	4.59	79.59
3a	60-0334	PVC ADHESIVE-HEAVY BODY 16OZ.	0.79	0.36	42.07



No	Part#	Description	Lbs.	Kgs.	Price
3b	60-0347-T1	TROUGH SUPPORT BRACKET TOP	1.19	0.54	6.41
3c	60-0347-2	TROUGH SUPPORT BRACKET BOTTOM	0.35	0.16	2.22
3d	60-0081-P	40MM D/E SOCKET 4MM BBB	0.18	0.08	1.27