

Watering

January 2018





Watering for Round Pipe

System based on 6" center - 20 Nipples per 10ft section

Winching based on 10 Ft Drop Spacing Components

Part #	Description	System Length and Quantities											
		Meters	61	64	67	70	73	76	79	82	85	88	91
		Feet	200	210	220	230	240	250	260	270	280	290	300
CW-3055B-T	WATERING PIPE 6" CTR W/TWIN L		20	21	22	23	24	25	26	27	28	29	30
CW-P0001	WATERING PIPE ACC. KIT		20	21	22	23	24	25	26	27	28	29	30
CW-10233T	Nipple Twin Lock, Purple Cap 30-40 ml/min		400	420	440	460	480	500	520	540	560	580	600
CW-9015	CUP		400	420	440	460	480	500	520	540	560	580	600
CW-5030-pz	10' SUPPORT PIPE 10'3" SWEDGED OD 27MM THICKNES		20	21	22	23	24	25	26	27	28	29	30
CW-3030-P	REGULATOR C/W ACCESSORIES		1	1	1	1	1	1	1	1	1	1	1
CW-9500-P	END KIT ASSEMBLY (NEW VERSION)		1	1	1	1	1	1	1	1	1	1	1
CW-9510-P	AIR VENT ASSY (NEW VERSION 2)		2	3	3	3	3	3	3	3	3	3	3
CW-P013	PRESSURE REGULATOR		1.0	1.0	1.0	1.0	1.0	1.0	1.0	1.0	1.0	1.0	1.0
CW-P010	FILTER MEDICATOR KIT		1	1	1	1	1	1	1	1	1	1	1
CW-D25RE2	DOSATRON MEDICATOR 0.2% (1:500) TO 2% (1:50)		1	1	1	1	1	1	1	1	1	1	1
028-00242-P	METER WATER, DN20, BRASS, PULSE OUTPUT, 1.5m CABLE		1	1	1	1	1	1	1	1	1	1	1
CW-2011-P	FILTER CARTRIDGE (REPLACEMENT)		3	3	3	3	3	3	3	3	3	3	3
CW-5006	BRUSH - SIGHT GUAGE CLEANOUT		2	2	2	2	2	2	2	2	2	2	2
S-P400	PINCER, 8"		0	0	0	0	0	0	0	0	0	0	0
HDL1500	H-1500 RED WINCH REG. TYPE395		1	1	1	1	1	1	1	1	1	1	1
07097392GF-M5	Cable, 500' , 1/8" 7X19 TS960MPa MBL7.6KN GALFAN COATING MASS: 25g/m2 (EN12385)		1	1	1	1	1	1	1	1	1	1	1
00401186GF-M5	CABLE, 500' , 1/16" 7X7 TS1960MPa MBL2.1KN GALFAN COATING MASS: 23g/m2 (EN12385)		1	1	1	1	1	1	1	1	1	1	1
CW-2004	OPEN STACONS (1/8")		25	26	27	28	29	30	31	32	33	34	35
35-0018	AZUMA, PLASTIC NUT & BOLT		25	26	27	28	29	30	31	32	33	34	35
CW-2008-1M	1/8" CORD 1000 FT		0.2	0.2	0.2	0.2	0.2	0.3	0.3	0.3	0.3	0.3	0.3
07081400-HD	5' HAND CRANK-OVERHEAD WINCH HOT DIP GALV		ONE PER HOUSE										
H35-0030	7/8" PULLEY, PLASTIC		25	26	27	28	29	30	31	32	33	34	35
FOR STEEL HOUSE													
7504710	PLATE G-SHAPE HOOK		25	26	27	28	29	30	31	32	33	34	35



S-P874	SELF DRILLING SCREW SDS #14X1"	30	31	32	33	34	35	36	37	38	39	40
FOR WOODEN HOUSE												
S-7313	EYEBOLT 11/64-20X3 1/2 OPEN EYE	25	26	27	28	29	30	31	32	33	34	35

		System Length and Quantities											
Part #	Description	Meters	94	97	100	104	107	110	113	116	119	122	125
		Feet	310	320	330	340	350	360	370	380	390	400	410
CW-3055C-T	WATERING PIPE 8" CTR W/TWIN LO		31	32	33	34	35	36	37	38	39	40	41
CW-P0001	WATERING PIPE ACC. KIT		31	32	33	34	35	36	37	38	39	40	41
CW-10233T	Nipple Twin Lock, Purple Cap 30-40 ml/min		620	640	660	680	700	720	740	760	780	800	820
CW-9015	CUP		620	640	660	680	700	720	740	760	780	800	820
CW-5030-pz	10' SUPPORT PIPE 10'3"-SWEDGED OD 27MM THICKNES		31	32	33	34	35	36	37	38	39	40	41
CW-3030-P	REGULATOR C/W ACCESSORIES		1	1	1	1	1	1	1	1	1	1	1
CW-9500-P	END KIT ASSEMBLY (NEW VERSION)		1	1	1	1	1	1	1	1	1	1	1
CW-9510-P	AIR VENT ASSY (NEW VERSION 2)		3	4	4	4	4	4	4	4	4	4	5
CW-P013	PRESSURE REGULATOR		1.0	1.0	1.0	1.0	1.0	1.0	1.0	1.0	1.0	1.0	1.0
CW-P010	FILTER MEDICATOR KIT		1	1	1	1	1	1	1	1	1	1	1
CW-D25RE2	DOSATRON MEDICATOR 0.2% (1:500) TO 2% (1:50)		1	1	1	1	1	1	1	1	1	1	1
028-00242-P	METER WATER, DN20, BRASS, PULSE OUTPUT, 1.5m CABLE		1	1	1	1	1	1	1	1	1	1	1
CW-2011-P	FILTER CARTRIDGE (REPLACEMENT)		3	3	3	3	3	3	3	3	3	3	3
CW-5006	BRUSH - SIGHT GUAGE CLEANOUT		2	2	2	2	2	2	2	2	2	2	2
S-P400	PINCER, 8"		0	0	0	0	0	0	0	0	0	0	0
HDL1500	H-1500 RED WINCH REG. TYPE395		1	1	1	1	1	1	1	1	1	1	1
07097392GF-M5	Cable, 500' , 1/8" 7X19 TS960MPa MBL7.6KN GALFAN COATING MASS: 25g/m2 (EN12385)		1	1	1	1	1	1	1	1	1	1	1
00401186GF-M5	CABLE, 500', 1/16" 7X7 TS1960MPa MBL2.1KN GALFAN COATING MASS: 23g/m2 (EN12385)		1	1	1	1	1	1	1	1	1	1	1
CW-2004	OPEN STACONS (1/8")		36	37	38	39	40	41	42	43	44	45	46
35-0018	AZUMA, PLASTIC NUT & BOLT		36	37	38	39	40	41	42	43	44	45	46
CW-2008-1M	1/8" CORD 1000 FT		0.3	0.3	0.3	0.3	0.4	0.4	0.4	0.4	0.4	0.4	0.4



07081400-HD	5' HAND CRANK-OVERHEAD WINCH HOT DIP GALV											ONE PER HOUSE
H35-0030	7/8" PULLEY, PLASTIC	36	37	38	39	40	41	42	43	44	45	46

FOR STEEL HOUSE

7504710	PLATE G-SHAPE HOOK	36	37	38	39	40	41	42	43	44	45	46
S-P874	SELF DRILLING SCREW SDS #14X1"	41	42	43	44	45	46	47	48	49	50	51

FOR WOODEN HOUSE

S-7313	EYEBOLT 11/64-20X3 1/2 OPEN EYE	36	37	38	39	40	41	42	43	44	45	46
--------	---------------------------------	----	----	----	----	----	----	----	----	----	----	----

System Length and Quantities												
Part #	Description	Meters	128	131	134	137	140	143	146	149	152	
		Feet	420	430	440	450	460	470	480	490	500	
CW-3055C-T	WATERING PIPE 8" CTR W/TWIN LO		42	43	44	45	46	47	48	49	50	
CW-P0001	WATERING PIPE ACC. KIT		42	43	44	45	46	47	48	49	50	
CW-10233T	Nipple Twin Lock, Purple Cap 30-40 ml/min		840	860	880	900	920	940	960	980	1000	
CW-9015	CUP		840	860	880	900	920	940	960	980	1000	
CW-5030-pz	10' SUPPORT PIPE 10'3" SWEDGED OD 27MM THICKNES		42	43	44	45	46	47	48	49	50	
CW-3030-P	REGULATOR C/W ACCESSORIES		1	1	1	1	1	1	1	1	1	
CW-9500-P	END KIT ASSEMBLY (NEW VERSION)		1	1	1	1	1	1	1	1	1	
CW-9510-P	AIR VENT ASSY (NEW VERSION 2)		5	5	5	5	5	5	5	5	5	
CW-P013	PRESSURE REGULATOR		1.0	1.0	1.0	1.0	1.0	1.0	1.0	1.0	1.0	
CW-P010	FILTER MEDICATOR KIT		1	1	1	1	1	1	1	1	1	
CW-D25RE2	DOSATRON MEDICATOR 0.2% (1:500) TO 2% (1:50)		1	1	1	1	1	1	1	1	1	
028-00242-P	METER WATER, DN20, BRASS, PULSE OUTPUT, 1.5m CABLE		1	1	1	1	1	1	1	1	1	
CW-2011-P	FILTER CARTRIDGE (REPLACEMENT)		3	3	3	3	3	3	3	3	3	
CW-5006	BRUSH - SIGHT GUAGE CLEANOUT		2	2	2	2	2	2	2	2	2	
S-P400	PINCER, 8"		0	0	0	0	0	0	0	0	0	
HDL1500	H-1500 RED WINCH REG. TYPE395		1	1	1	1	1	1	1	1	1	
07097392GF-M5	Cable, 500', 1/8" 7X19 TS960MPa MBL7.6KN GALFAN COATING MASS: 25g/m2 (EN12385)		1	1	1	1	1	1	1	1	1	
00401186GF-M5	CABLE, 500', 1/16" 7X7 TS1960MPa MBL2.1KN GALFAN COATING MASS: 23g/m2 (EN12385)		1	1	1	1	1	1	1	1	1	
CW-2004	OPEN STACONS (1/8")		47	48	49	50	51	52	53	54	55	
35-0018	AZUMA, PLASTIC NUT & BOLT		47	48	49	50	51	52	53	54	55	
CW-2008-1M	1/8" CORD 1000 FT		0.4	0.4	0.4	0.5	0.5	0.5	0.5	0.5	0.5	

07081400-HD	5' HAND CRANK-OVERHEAD WINCH HOT DIP GALV											ONE PER HOUSE
H35-0030	7/8" PULLEY, PLASTIC	47	48	49	50	51	52	53	54	55		



FOR STEEL HOUSE

7504710	PLATE G-SHAPE HOOK	47	48	49	50	51	52	53	54	55
S-P874	SELF DRILLING SCREW SDS #14X1"	52	53	54	55	56	57	58	59	60

FOR WOODEN HOUSE

S-7313	EYEBOLT 11/64-20X3 1/2 OPEN EYE	47	48	49	50	51	52	53	54	55
--------	---------------------------------	----	----	----	----	----	----	----	----	----

Watering for Round Pipe

System based on 8" center - 15 Nipples per 10ft section

Winching based on 10 Ft Drop Spacing Components

Part #	Description	System Length and Quantities											
		Meters	61	64	67	70	73	76	79	82	85	88	91
		Feet	200	210	220	230	240	250	260	270	280	290	300
CW-3055C-T	WATERING PIPE 8" CTR W/TWIN LO	20	21	22	23	24	25	26	27	28	29	30	
CW-P0001	WATERING PIPE ACC. KIT	20	21	22	23	24	25	26	27	28	29	30	
CW-10233T	Nipple Twin Lock, Purple Cap 30-40 ml/min	300	315	330	345	360	375	390	405	420	435	450	
CW-9015	CUP	300	315	330	345	360	375	390	405	420	435	450	
CW-5030-pz	10' SUPPORT PIPE 10'3""-SWEDGED OD 27MM THICKNES	20	21	22	23	24	25	26	27	28	29	30	
CW-3030-P	REGULATOR C/W ACCESSORIES	1	1	1	1	1	1	1	1	1	1	1	
CW-9500-P	END KIT ASSEMBLY (NEW VERSION)	1	1	1	1	1	1	1	1	1	1	1	
CW-9510-P	AIR VENT ASSY (NEW VERSION 2)	2	3	3	3	3	3	3	3	3	3	3	
CW-P013	PRESSURE REGULATOR	1.0	1.0	1.0	1.0	1.0	1.0	1.0	1.0	1.0	1.0	1.0	
CW-P010	FILTER MEDICATOR KIT	1	1	1	1	1	1	1	1	1	1	1	
CW-D25RE2	DOSATRON MEDICATOR 0.2% (1:500) TO 2% (1:50)	1	1	1	1	1	1	1	1	1	1	1	
028-00242-P	METER WATER, DN20, BRASS, PULSE OUTPUT, 1.5m CABLE	1	1	1	1	1	1	1	1	1	1	1	
CW-2011-P	FILTER CARTRIDGE (REPLACEMENT)	3	3	3	3	3	3	3	3	3	3	3	
CW-5006	BRUSH - SIGHT GUAGE CLEANOUT	2	2	2	2	2	2	2	2	2	2	2	
S-P400	PINCER, 8"	0	0	0	0	0	0	0	0	0	0	0	
HDL1500	H-1500 RED WINCH REG. TYPE395	1	1	1	1	1	1	1	1	1	1	1	
07097392GF-M5	Cable, 500' , 1/8" 7X19 TS960MPa MBL7.6KN GALFAN COATING MASS: 25g/m2 (EN12385)	1	1	1	1	1	1	1	1	1	1	1	
00401186GF-M5	CABLE, 500j , 1/16" 7X7 TS1960MPa MBL2.1KN GALFAN COATING MASS: 23g/m2 (EN12385)	1	1	1	1	1	1	1	1	1	1	1	
CW-2004	OPEN STACONS (1/8")	25	26	27	28	29	30	31	32	33	34	35	
35-0018	AZUMA, PLASTIC NUT & BOLT	25	26	27	28	29	30	31	32	33	34	35	
CW-2008-1M	1/8" CORD 1000 FT	0.2	0.2	0.2	0.2	0.2	0.3	0.3	0.3	0.3	0.3	0.3	
07081400-HD	5' HAND CRANK-OVERHEAD WINCH HOT DIP GALV												ONE PER HOUSE
H35-0030	7/8" PULLEY, PLASTIC	25	26	27	28	29	30	31	32	33	34	35	



FOR STEEL HOUSE

7504710	PLATE G-SHAPE HOOK	25	26	27	28	29	30	31	32	33	34	35
S-P874	SELF DRILLING SCREW SDS #14X1"	30	31	32	33	34	35	36	37	38	39	40

FOR WOODEN HOUSE

S-7313	EYEBOLT 11/64-20X3 1/2 OPEN EYE	25	26	27	28	29	30	31	32	33	34	35
--------	---------------------------------	----	----	----	----	----	----	----	----	----	----	----

		System Length and Quantities											
Part #	Description	Meters	94	97	100	104	107	110	113	116	119	122	125
		Feet	310	320	330	340	350	360	370	380	390	400	410
CW-3055C-T	WATERING PIPE 8" CTR W/TWIN LO	31	32	33	34	35	36	37	38	39	40	41	
CW-P0001	WATERING PIPE ACC. KIT	31	32	33	34	35	36	37	38	39	40	41	
CW-10233T	Nipple Twin Lock, Purple Cap 30-40 ml/min	465	480	495	510	525	540	555	570	585	600	615	
CW-9015	CUP	465	480	495	510	525	540	555	570	585	600	615	
CW-5030-pz	10' SUPPORT PIPE 10'3" SWEDGED OD 27MM THICKNES	31	32	33	34	35	36	37	38	39	40	41	
CW-3030-P	REGULATOR C/W ACCESSORIES	1	1	1	1	1	1	1	1	1	1	1	
CW-9500-P	END KIT ASSEMBLY (NEW VERSION)	1	1	1	1	1	1	1	1	1	1	1	
CW-9510-P	AIR VENT ASSY (NEW VERSION 2)	4	4	4	4	4	4	4	4	4	4	4	5
CW-P013	PRESSURE REGULATOR	1.0	1.0	1.0	1.0	1.0	1.0	1.0	1.0	1.0	1.0	1.0	1.0
CW-P010	FILTER MEDICATOR KIT	1	1	1	1	1	1	1	1	1	1	1	1
CW-D25RE2	DOSATRON MEDICATOR 0.2% (1:500) TO 2% (1:50)	1	1	1	1	1	1	1	1	1	1	1	1
028-00242-P	METER WATER, DN20, BRASS, PULSE OUTPUT, 1.5m CABLE	1	1	1	1	1	1	1	1	1	1	1	1
CW-2011-P	FILTER CARTRIDGE (REPLACEMENT)	3	3	3	3	3	3	3	3	3	3	3	3
CW-5006	BRUSH - SIGHT GUAGE CLEANOUT	2	2	2	2	2	2	2	2	2	2	2	2
S-P400	PINCER, 8"	0	0	0	0	0	0	0	0	0	0	0	0
HDL1500	H-1500 RED WINCH REG. TYPE395	1	1	1	1	1	1	1	1	1	1	1	1
07097392GF-M5	Cable, 500', 1/8" 7X19 TS960MPa MBL7.6KN GALFAN COATING MASS: 25g/m2 (EN12385)	1	1	1	1	1	1	1	1	1	1	1	1
00401186GF-M5	CABLE, 500', 1/16" 7X7 TS1960MPa MBL2.1KN GALFAN COATING MASS: 23g/m2 (EN12385)	1	1	1	1	1	1	1	1	1	1	1	1
CW-2004	OPEN STACONS (1/8")	36	37	38	39	40	41	42	43	44	45	46	
35-0018	AZUMA, PLASTIC NUT & BOLT	36	37	38	39	40	41	42	43	44	45	46	
CW-2008-1M	1/8" CORD 1000 FT	0.3	0.3	0.3	0.3	0.4	0.4	0.4	0.4	0.4	0.4	0.4	0.4



07081400-HD	5' HAND CRANK-OVERHEAD WINCH HOT DIP GALV	ONE PER HOUSE										
H35-0030	7/8" PULLEY, PLASTIC	36	37	38	39	40	41	42	43	44	45	46

FOR STEEL HOUSE

7504710	PLATE G-SHAPE HOOK	36	37	38	39	40	41	42	43	44	45	46
S-P874	SELF DRILLING SCREW SDS #14X1"	41	42	43	44	45	46	47	48	49	50	51

FOR WOODEN HOUSE

S-7313	EYEBOLT 11/64-20X3 1/2 OPEN EYE	36	37	38	39	40	41	42	43	44	45	46
--------	---------------------------------	----	----	----	----	----	----	----	----	----	----	----

System Length and Quantities		Meters	128	131	134	137	140	143	146	149	152
Part #	Description	Feet	420	430	440	450	460	470	480	490	500
CW-3055C-T	WATERING PIPE 8" CTR W/TWIN LO	42	43	44	45	46	47	48	49	50	
CW-P0001	WATERING PIPE ACC. KIT	42	43	44	45	46	47	48	49	50	
CW-10233T	Nipple Twin Lock, Purple Cap 30-40 ml/min	630	645	660	675	690	705	720	735	750	
CW-9015	CUP	630	645	660	675	690	705	720	735	750	
CW-5030-pz	10' SUPPORT PIPE 10'3'''-SWEDGED OD 27MM THICKNES	42	43	44	45	46	47	48	49	50	
CW-3030-P	REGULATOR C/W ACCESSORIES	1	1	1	1	1	1	1	1	1	
CW-9500-P	END KIT ASSEMBLY (NEW VERSION)	1	1	1	1	1	1	1	1	1	

CW-9510-P	AIR VENT ASSY (NEW VERSION 2)	5	5	5	5	5	5	5	5	5	
CW-P013	PRESSURE REGULATOR	1.0	1.0	1.0	1.0	1.0	1.0	1.0	1.0	1.0	
CW-P010	FILTER MEDICATOR KIT	1	1	1	1	1	1	1	1	1	
CW-D25RE2	DOSATRON MEDICATOR 0.2% (1:500) TO 2% (1:50)	1	1	1	1	1	1	1	1	1	
028-00242-P	METER WATER, DN20, BRASS, PULSE OUTPUT, 1.5m CABLE	1	1	1	1	1	1	1	1	1	
CW-2011-P	FILTER CARTRIDGE (REPLACEMENT)	3	3	3	3	3	3	3	3	3	
CW-5006	BRUSH - SIGHT GUAGE CLEANOUT	2	2	2	2	2	2	2	2	2	
S-P400	PINCER, 8"	0	0	0	0	0	0	0	0	0	
HDL1500	H-1500 RED WINCH REG. TYPE395	1	1	1	1	1	1	1	1	1	
07097392GF-M5	Cable, 500', 1/8" 7X19 TS960MPa MBL7.6KN GALFAN COATING MASS: 25g/m2 (EN12385)	1	1	1	1	1	1	1	1	1	
00401186GF-M5	CABLE, 500', 1/16" 7X7 TS1960MPa MBL2.1KN GALFAN COATING MASS: 23g/m2 (EN12385)	1	1	1	1	1	1	1	1	1	
CW-2004	OPEN STACONS (1/8")	47	48	49	50	51	52	53	54	55	
35-0018	AZUMA, PLASTIC NUT & BOLT	47	48	49	50	51	52	53	54	55	
CW-2008-1M	1/8" CORD 1000 FT	0.4	0.4	0.4	0.5	0.5	0.5	0.5	0.5	0.5	
07081400-HD	5' HAND CRANK-OVERHEAD WINCH HOT DIP GALV	ONE PER HOUSE									
H35-0030	7/8" PULLEY, PLASTIC	47	48	49	50	51	52	53	54	55	
FOR STEEL HOUSE											
7504710	PLATE G-SHAPE HOOK	47	48	49	50	51	52	53	54	55	



S-P874 SELF DRILLING SCREW SDS #14X1" 52 53 54 55 56 57 58 59 60

FOR WOODEN HOUSE

S-7313 EYEBOLT 11/64-20X3 1/2 OPEN EYE 47 48 49 50 51 52 53 54 55

NOTE: FOR STANDARD HOUSE HEIGHT - 10FT

Watering for Round Pipe

System based on 10" center - 12 Nipples per 10ft section

		System Length and Quantities											
Part #	Description	Meters	61	64	67	70	73	76	79	82	85	88	91
		Feet	200	210	220	230	240	250	260	270	280	290	300
CW-3055D-T	WATERING PIPE 10" CTR W/TWIN L	20	21	22	23	24	25	26	27	28	29	30	
CW-P0001	WATERING PIPE ACC. KIT	20	21	22	23	24	25	26	27	28	29	30	
CW-10233T	Nipple Twin Lock, Purple Cap 30-40 ml/min	240	252	264	276	288	300	312	324	336	348	360	
CW-9015	CUP	240	252	264	276	288	300	312	324	336	348	360	
CW-5030-pz	10' SUPPORT PIPE 10'3" SWEDGED OD 27MM THICKNES	20	21	22	23	24	25	26	27	28	29	30	
CW-3030-P	REGULATOR C/W ACCESSORIES	1	1	1	1	1	1	1	1	1	1	1	
CW-9500-P	END KIT ASSEMBLY (NEW VERSION)	1	1	1	1	1	1	1	1	1	1	1	
CW-9510-P	AIR VENT ASSY (NEW VERSION 2)	2	3	3	3	3	3	3	3	3	3	3	
CW-P013	PRESSURE REGULATOR	1.0	1.0	1.0	1.0	1.0	1.0	1.0	1.0	1.0	1.0	1.0	
CW-P010	FILTER MEDICATOR KIT	1	1	1	1	1	1	1	1	1	1	1	
CW-D25RE2	DOSATRON MEDICATOR 0.2% (1:500) TO 2% (1:50)	1	1	1	1	1	1	1	1	1	1	1	
028-00242-P	METER WATER, DN20, BRASS, PULSE OUTPUT, 1.5m CABLE	1	1	1	1	1	1	1	1	1	1	1	
CW-2011-P	FILTER CARTRIDGE (REPLACEMENT)	3	3	3	3	3	3	3	3	3	3	3	
CW-5006	BRUSH - SIGHT GUAGE CLEANOUT	2	2	2	2	2	2	2	2	2	2	2	
S-P400	PINCER, 8"	0	0	0	0	0	0	0	0	0	0	0	
HDL1500	H-1500 RED WINCH REG. TYPE395	1	1	1	1	1	1	1	1	1	1	1	
07097392GF-M5	Cable, 500', 1/8" 7X19 TS960MPa MBL7.6KN GALFAN COATING MASS: 25g/m2 (EN12385)	1	1	1	1	1	1	1	1	1	1	1	
00401186GF-M5	CABLE, 500', 1/16" 7X7 TS1960MPa MBL2.1KN GALFAN COATING MASS: 23g/m2 (EN12385)	1	1	1	1	1	1	1	1	1	1	1	
CW-2004	OPEN STACONS (1/8")	25	26	27	28	29	30	31	32	33	34	35	
35-0018	AZUMA, PLASTIC NUT & BOLT	25	26	27	28	29	30	31	32	33	34	35	
CW-2008-1M	1/8" CORD 1000 FT	0.2	0.2	0.2	0.2	0.2	0.3	0.3	0.3	0.3	0.3	0.3	
07081400-HD	5' HAND CRANK-OVERHEAD WINCH HOT DIP GALV												ONE PER HOUSE
H35-0030	7/8" PULLEY, PLASTIC	25	26	27	28	29	30	31	32	33	34	35	
FOR STEEL HOUSE													
7504710	PLATE G-SHAPE HOOK	25	26	27	28	29	30	31	32	33	34	35	
S-P874	SELF DRILLING SCREW SDS #14X1"	30	31	32	33	34	35	36	37	38	39	40	



FOR WOODEN HOUSE

S-7313	EYEBOLT 11/64-20X3 1/2 OPEN EYE	25	26	27	28	29	30	31	32	33	34	35
--------	---------------------------------	----	----	----	----	----	----	----	----	----	----	----

Part #	Description	System Length and Quantities											
		Meters	94	97	100	104	107	110	113	116	119	122	125
		Feet	310	320	330	340	350	360	370	380	390	400	410
CW-3055D-T	WATERING PIPE 10" CTR W/TWIN L	31	32	33	34	35	36	37	38	39	40	41	
CW-P0001	WATERING PIPE ACC. KIT	31	32	33	34	35	36	37	38	39	40	41	
CW-10233T	Nipple Twin Lock, Purple Cap 30-40 ml/min	372	384	396	408	420	432	444	456	468	480	492	
CW-9015	CUP	372	384	396	408	420	432	444	456	468	480	492	
CW-5030-pz	10' SUPPORT PIPE 10'3'''-SWEDGED OD 27MM THICKNES	31	32	33	34	35	36	37	38	39	40	41	
CW-3030-P	REGULATOR C/W ACCESSORIES	1	1	1	1	1	1	1	1	1	1	1	
CW-9500-P	END KIT ASSEMBLY (NEW VERSION)	1	1	1	1	1	1	1	1	1	1	1	
CW-9510-P	AIR VENT ASSY (NEW VERSION 2)	4	4	4	4	4	4	4	4	4	4	5	
CW-P013	PRESSURE REGULATOR	1.0	1.0	1.0	1.0	1.0	1.0	1.0	1.0	1.0	1.0	1.0	
CW-P010	FILTER MEDICATOR KIT	1	1	1	1	1	1	1	1	1	1	1	
CW-D25RE2	DOSATRON MEDICATOR 0.2% (1:500) TO 2% (1:50)	1	1	1	1	1	1	1	1	1	1	1	
028-00242-P	METER WATER, DN20, BRASS, PULSE OUTPUT, 1.5m CABLE	1	1	1	1	1	1	1	1	1	1	1	
CW-2011-P	FILTER CARTRIDGE (REPLACEMENT)	3	3	3	3	3	3	3	3	3	3	3	
CW-5006	BRUSH - SIGHT GUAGE CLEANOUT	2	2	2	2	2	2	2	2	2	2	2	
S-P400	PINCER, 8"	0	0	0	0	0	0	0	0	0	0	0	
HDL1500	H-1500 RED WINCH REG. TYPE395	1	1	1	1	1	1	1	1	1	1	1	
07097392GF-M5	Cable, 500', 1/8" 7X19 TS960MPa MBL7.6KN GALFAN COATING MASS: 25g/m2 (EN12385)	1	1	1	1	1	1	1	1	1	1	1	
00401186GF-M5	CABLE, 500', 1/16" 7X7 TS1960MPa MBL2.1KN GALFAN COATING MASS: 23g/m2 (EN12385)	1	1	1	1	1	1	1	1	1	1	1	
CW-2004	OPEN STACONS (1/8")	36	37	38	39	40	41	42	43	44	45	46	
35-0018	AZUMA, PLASTIC NUT & BOLT	36	37	38	39	40	41	42	43	44	45	46	
CW-2008-1M	1/8" CORD 1000 FT	0.3	0.3	0.3	0.3	0.4	0.4	0.4	0.4	0.4	0.4	0.4	
07081400-HD	5' HAND CRANK-OVERHEAD WINCH HOT DIP GALV	ONE PER HOUSE											
H35-0030	7/8" PULLEY, PLASTIC	36	37	38	39	40	41	42	43	44	45	46	

FOR STEEL HOUSE

7504710	PLATE G-SHAPE HOOK	36	37	38	39	40	41	42	43	44	45	46
S-P874	SELF DRILLING SCREW SDS #14X1"	41	42	43	44	45	46	47	48	49	50	51

FOR WOODEN HOUSE

S-7313	EYEBOLT 11/64-20X3 1/2 OPEN EYE	36	37	38	39	40	41	42	43	44	45	46
--------	---------------------------------	----	----	----	----	----	----	----	----	----	----	----



Part #	Description	System Length and Quantities									
		Meters Feet	128 420	131 430	134 440	137 450	140 460	143 470	146 480	149 490	152 500
CW-3055D-T	WATERING PIPE 10" CTR W/TWIN L	42	43	44	45	46	47	48	49	50	
CW-P0001	WATERING PIPE ACC. KIT	42	43	44	45	46	47	48	49	50	
CW-10233T	Nipple Twin Lock, Purple Cap 30-40 ml/min	504	516	528	540	552	564	576	588	600	
CW-9015	CUP	504	516	528	540	552	564	576	588	600	
CW-5030-pz	10' SUPPORT PIPE 10'3" SWEDGED OD 27MM THICKNES	42	43	44	45	46	47	48	49	50	
CW-3030-P	REGULATOR C/W ACCESSORIES	1	1	1	1	1	1	1	1	1	
CW-9500-P	END KIT ASSEMBLY (NEW VERSION)	1	1	1	1	1	1	1	1	1	
CW-9510-P	AIR VENT ASSY (NEW VERSION 2)	5	5	5	5	5	5	5	5	5	
CW-P013	PRESSURE REGULATOR	1.0	1.0	1.0	1.0	1.0	1.0	1.0	1.0	1.0	
CW-P010	FILTER MEDICATOR KIT	1	1	1	1	1	1	1	1	1	
CW-D25RE2	DOSATRON MEDICATOR 0.2% (1:500) TO 2% (1:50)	1	1	1	1	1	1	1	1	1	
028-00242-P	METER WATER, DN20, BRASS, PULSE OUTPUT, 1.5m CABLE	1	1	1	1	1	1	1	1	1	
CW-2011-P	FILTER CARTRIDGE (REPLACEMENT)	3	3	3	3	3	3	3	3	3	
CW-5006	BRUSH - SIGHT GUAGE CLEANOUT	2	2	2	2	2	2	2	2	2	
S-P400	PINCER, 8"	0	0	0	0	0	0	0	0	0	
HDL1500	H-1500 RED WINCH REG. TYPE395	1	1	1	1	1	1	1	1	1	
07097392GF-M5	Cable, 500', 1/8" 7X19 TS960MPa MBL7.6KN GALFAN COATING MASS: 25g/m2 (EN12385)	1	1	1	1	1	1	1	1	1	
00401186GF-M5	CABLE, 500', 1/16" 7X7 TS1960MPa MBL2.1KN GALFAN COATING MASS: 23g/m2 (EN12385)	1	1	1	1	1	1	1	1	1	
CW-2004	OPEN STACONS (1/8")	47	48	49	50	51	52	53	54	55	
35-0018	AZUMA, PLASTIC NUT & BOLT	47	48	49	50	51	52	53	54	55	
CW-2008-1M	1/8" CORD 1000 FT	0.4	0.4	0.4	0.5	0.5	0.5	0.5	0.5	0.5	
07081400-HD	5' HAND CRANK-OVERHEAD WINCH HOT DIP GALV	ONE PER HOUSE									
H35-0030	7/8" PULLEY, PLASTIC	47	48	49	50	51	52	53	54	55	
FOR STEEL HOUSE											
7504710	PLATE G-SHAPE HOOK	47	48	49	50	51	52	53	54	55	
S-P874	SELF DRILLING SCREW SDS #14X1"	52	53	54	55	56	57	58	59	60	
FOR WOODEN HOUSE											
S-7313	EYEBOLT 11/64-20X3 1/2 OPEN EYE	47	48	49	50	51	52	53	54	55	

NOTE: FOR STANDARD HOUSE HEIGHT - 10FT



Watering for Round Pipe

System based on 12" center - 10 Nipples per 10ft section

Part #	Description	System Length and Quantities											
		Meters Feet	61 200	64 210	67 220	70 230	73 240	76 250	79 260	82 270	85 280	88 290	91 300
CW-3055E-T	WATERING PIPE 12" CTR W/TWIN L	20	21	22	23	24	25	26	27	28	29	30	
CW-P0001	WATERING PIPE ACC. KIT	20	21	22	23	24	25	26	27	28	29	30	
CW-10233T	Nipple Twin Lock, Purple Cap 30-40 ml/min	200	210	220	230	240	250	260	270	280	290	300	
CW-9015	CUP	200	210	220	230	240	250	260	270	280	290	300	
CW-5030-pz	10' SUPPORT PIPE 10'3" SWEDGED OD 27MM THICKNES	20	21	22	23	24	25	26	27	28	29	30	
CW-3030-P	REGULATOR C/W ACCESSORIES	1	1	1	1	1	1	1	1	1	1	1	
CW-9500-P	END KIT ASSEMBLY (NEW VERSION)	1	1	1	1	1	1	1	1	1	1	1	
CW-9510-P	AIR VENT ASSY (NEW VERSION 2)	2	3	3	3	3	3	3	3	3	3	3	
CW-P013	PRESSURE REGULATOR	1.0	1.0	1.0	1.0	1.0	1.0	1.0	1.0	1.0	1.0	1.0	
CW-P010	FILTER MEDICATOR KIT	1	1	1	1	1	1	1	1	1	1	1	
CW-D25RE2	DOSATRON MEDICATOR 0.2% (1:500) TO 2% (1:50)	1	1	1	1	1	1	1	1	1	1	1	
028-00242-P	METER WATER, DN20, BRASS, PULSE OUTPUT, 1.5m CABLE	1	1	1	1	1	1	1	1	1	1	1	
CW-2011-P	FILTER CARTRIDGE (REPLACEMENT)	3	3	3	3	3	3	3	3	3	3	3	
CW-5006	BRUSH - SIGHT GUAGE CLEANOUT	2	2	2	2	2	2	2	2	2	2	2	
S-P400	PINCER, 8"	0	0	0	0	0	0	0	0	0	0	0	
HDL1500	H-1500 RED WINCH REG. TYPE395	1	1	1	1	1	1	1	1	1	1	1	
07097392GF-M5	Cable, 500', 1/8" 7X19 TS960MPa MBL7.6KN GALFAN COATING MASS: 25g/m2 (EN12385)	1	1	1	1	1	1	1	1	1	1	1	
00401186GF-M5	CABLE, 500', 1/16" 7X7 TS1960MPa MBL2.1KN GALFAN COATING MASS: 23g/m2 (EN12385)	1	1	1	1	1	1	1	1	1	1	1	
CW-2004	OPEN STACONS (1/8")	25	26	27	28	29	30	31	32	33	34	35	
35-0018	AZUMA, PLASTIC NUT & BOLT	25	26	27	28	29	30	31	32	33	34	35	
CW-2008-1M	1/8" CORD 1000 FT	0.2	0.2	0.2	0.2	0.2	0.3	0.3	0.3	0.3	0.3	0.3	
07081400-HD	5' HAND CRANK-OVERHEAD WINCH HOT DIP GALV	ONE PER HOUSE											
H35-0030	7/8" PULLEY, PLASTIC	25	26	27	28	29	30	31	32	33	34	35	
FOR STEEL HOUSE													
7504710	PLATE G-SHAPE HOOK	25	26	27	28	29	30	31	32	33	34	35	
S-P874	SELF DRILLING SCREW SDS #14X1"	30	31	32	33	34	35	36	37	38	39	40	
FOR WOODEN HOUSE													
S-7313	EYEBOLT 11/64-20X3 1/2 OPEN EYE	25	26	27	28	29	30	31	32	33	34	35	



Part #	Description	System Length and Quantities											
		Meters Feet	94 310	97 320	100 330	104 340	107 350	110 360	113 370	116 380	119 390	122 400	125 410
CW-3055E-T	WATERING PIPE 12" CTR W/TWIN L		31	32	33	34	35	36	37	38	39	40	41
CW-P0001	WATERING PIPE ACC. KIT		31	32	33	34	35	36	37	38	39	40	41
CW-10233T	Nipple Twin Lock, Purple Cap 30-40 ml/min		310	320	330	340	350	360	370	380	390	400	410
CW-9015	CUP		310	320	330	340	350	360	370	380	390	400	410
CW-5030-pz	10' SUPPORT PIPE 10'3"-SWEDGED OD 27MM THICKNES		31	32	33	34	35	36	37	38	39	40	41
CW-3030-P	REGULATOR C/W ACCESSORIES		1	1	1	1	1	1	1	1	1	1	1
CW-9500-P	END KIT ASSEMBLY (NEW VERSION)		1	1	1	1	1	1	1	1	1	1	1
CW-9510-P	AIR VENT ASSY (NEW VERSION 2)		4	4	4	4	4	4	4	4	4	4	5
CW-P013	PRESSURE REGULATOR		1.0	1.0	1.0	1.0	1.0	1.0	1.0	1.0	1.0	1.0	1.0
CW-P010	FILTER MEDICATOR KIT		1	1	1	1	1	1	1	1	1	1	1
CW-D25RE2	DOSATRON MEDICATOR 0.2% (1:500) TO 2% (1:50)		1	1	1	1	1	1	1	1	1	1	1
028-00242-P	METER WATER, DN20, BRASS, PULSE OUTPUT, 1.5m CABLE		1	1	1	1	1	1	1	1	1	1	1
CW-2011-P	FILTER CARTRIDGE (REPLACEMENT)		3	3	3	3	3	3	3	3	3	3	3
CW-5006	BRUSH - SIGHT GUAGE CLEANOUT		2	2	2	2	2	2	2	2	2	2	2
S-P400	PINCER, 8"		0	0	0	0	0	0	0	0	0	0	0
HDL1500	H-1500 RED WINCH REG. TYPE395		1	1	1	1	1	1	1	1	1	1	1
07097392GF-M5	Cable, 500' , 1/8" 7X19 TS960MPa MBL7.6KN GALFAN COATING MASS: 25g/m2 (EN12385)		1	1	1	1	1	1	1	1	1	1	1
00401186GF-M5	CABLE, 500' , 1/16" 7X7 TS1960MPa MBL2.1KN GALFAN COATING MASS: 23g/m2 (EN12385)		1	1	1	1	1	1	1	1	1	1	1
CW-2004	OPEN STACONS (1/8")		36	37	38	39	40	41	42	43	44	45	46
35-0018	AZUMA, PLASTIC NUT & BOLT		36	37	38	39	40	41	42	43	44	45	46
CW-2008-1M	1/8" CORD 1000 FT		0.3	0.3	0.3	0.3	0.4	0.4	0.4	0.4	0.4	0.4	0.4
07081400-HD	5' HAND CRANK-OVERHEAD WINCH HOT DIP GALV		ONE PER HOUSE										
H35-0030	7/8" PULLEY, PLASTIC		36	37	38	39	40	41	42	43	44	45	46
FOR STEEL HOUSE													
7504710	PLATE G-SHAPE HOOK		36	37	38	39	40	41	42	43	44	45	46
S-P874	SELF DRILLING SCREW SDS #14X1"		41	42	43	44	45	46	47	48	49	50	51
FOR WOODEN HOUSE													
S-7313	EYEBOLT 11/64-20X3 1/2 OPEN EYE		36	37	38	39	40	41	42	43	44	45	46

Part #	Description	System Length and Quantities									
		Meters Feet	128 420	131 430	134 440	137 450	140 460	143 470	146 480	149 490	152 500
CW-3055E-T	WATERING PIPE 12" CTR W/TWIN L		42	43	44	45	46	47	48	49	50
CW-P0001	WATERING PIPE ACC. KIT		42	43	44	45	46	47	48	49	50
CW-10233T	Nipple Twin Lock, Purple Cap 30-40 ml/min		420	430	440	450	460	470	480	490	500



		420	430	440	450	460	470	480	490	500
CW-9015	CUP									
CW-5030-pz	10' SUPPORT PIPE 10'3'''-SWEDGED OD 27MM THICKNES	42	43	44	45	46	47	48	49	50
CW-3030-P	REGULATOR C/W ACCESSORIES	1	1	1	1	1	1	1	1	1
CW-9500-P	END KIT ASSEMBLY (NEW VERSION)	1	1	1	1	1	1	1	1	1
CW-9510-P	AIR VENT ASSY (NEW VERSION 2)	5	5	5	5	5	5	5	5	5
CW-P013	PRESSURE REGULATOR	1.0	1.0	1.0	1.0	1.0	1.0	1.0	1.0	1.0
CW-P010	FILTER MEDICATOR KIT	1	1	1	1	1	1	1	1	1
CW-D25RE2	DOSATRON MEDICATOR 0.2% (1:500) TO 2% (1:50)	1	1	1	1	1	1	1	1	1
028-00242-P	METER WATER, DN20, BRASS, PULSE OUTPUT, 1.5m CABLE	1	1	1	1	1	1	1	1	1
CW-2011-P	FILTER CARTRIDGE (REPLACEMENT)	3	3	3	3	3	3	3	3	3
CW-5006	BRUSH - SIGHT GUAGE CLEANOUT	2	2	2	2	2	2	2	2	2
S-P400	PINCER, 8"	0	0	0	0	0	0	0	0	0
HDL1500	H-1500 RED WINCH REG. TYPE395	1	1	1	1	1	1	1	1	1
07097392GF-M5	Cable, 500' , 1/8" 7X19 TS960MPa MBL7.6KN GALFAN COATING MASS: 25g/m2 (EN12385)	1	1	1	1	1	1	1	1	1
00401186GF-M5	CABLE, 500j , 1/16" 7X7 TS1960MPa MBL2.1KN GALFAN COATING MASS: 23g/m2 (EN12385)	1	1	1	1	1	1	1	1	1
CW-2004	OPEN STACONS (1/8")	47	48	49	50	51	52	53	54	55
35-0018	AZUMA, PLASTIC NUT & BOLT	47	48	49	50	51	52	53	54	55
CW-2008-1M	1/8" CORD 1000 FT	0.4	0.4	0.4	0.5	0.5	0.5	0.5	0.5	0.5
07081400-HD	5' HAND CRANK-OVERHEAD WINCH HOT DIP GALV	ONE PER HOUSE								
H35-0030	7/8" PULLEY, PLASTIC	47	48	49	50	51	52	53	54	55
FOR STEEL HOUSE										
7504710	PLATE G-SHAPE HOOK	47	48	49	50	51	52	53	54	55
S-P874	SELF DRILLING SCREW SDS #14X1"	52	53	54	55	56	57	58	59	60
FOR WOODEN HOUSE										
S-7313	EYEBOLT 11/64-20X3 1/2 OPEN EYE	47	48	49	50	51	52	53	54	55

NOTE: FOR STANDARD HOUSE HEIGHT - 10FT



Watering for Round Pipe

System based on 15" center - 8 Nipples per 10ft section

Part #	Description	System Length and Quantities											
		Meters Feet	61 200	64 210	67 220	70 230	73 240	76 250	79 260	82 270	85 280	88 290	91 300
CW-3055F-T	WATERING PIPE 15" CTR W/TWIN L	20	21	22	23	24	25	26	27	28	29	30	
CW-P0001	WATERING PIPE ACC. KIT	20	21	22	23	24	25	26	27	28	29	30	
CW-10233T	Nipple Twin Lock, Purple Cap 30-40 ml/min	160	168	176	184	192	200	208	216	224	232	240	
CW-9015	CUP	160	168	176	184	192	200	208	216	224	232	240	
CW-5030-pz	10' SUPPORT PIPE 10'3'''-SWEDGED OD 27MM THICKNES	20	21	22	23	24	25	26	27	28	29	30	
CW-3030-P	REGULATOR C/W ACCESSORIES	1	1	1	1	1	1	1	1	1	1	1	
CW-9500-P	END KIT ASSEMBLY (NEW VERSION)	1	1	1	1	1	1	1	1	1	1	1	
CW-9510-P	AIR VENT ASSY (NEW VERSION 2)	2	3	3	3	3	3	3	3	3	3	3	
CW-P013	PRESSURE REGULATOR	1.0	1.0	1.0	1.0	1.0	1.0	1.0	1.0	1.0	1.0	1.0	
CW-P010	FILTER MEDICATOR KIT	1	1	1	1	1	1	1	1	1	1	1	
CW-D25RE2	DOSATRON MEDICATOR 0.2% (1:500) TO 2% (1:50)	1	1	1	1	1	1	1	1	1	1	1	
028-00242-P	METER WATER, DN20, BRASS, PULSE OUTPUT, 1.5m CABLE	1	1	1	1	1	1	1	1	1	1	1	
CW-2011-P	FILTER CARTRIDGE (REPLACEMENT)	3	3	3	3	3	3	3	3	3	3	3	
CW-5006	BRUSH - SIGHT GUAGE CLEANOUT	2	2	2	2	2	2	2	2	2	2	2	
S-P400	PINCER, 8"	0	0	0	0	0	0	0	0	0	0	0	
HDL1500	H-1500 RED WINCH REG. TYPE395	1	1	1	1	1	1	1	1	1	1	1	
07097392GF-M5	Cable, 500', 1/8" 7X19 TS960MPa MBL7.6KN GALFAN COATING MASS: 25g/m2 (EN12385)	1	1	1	1	1	1	1	1	1	1	1	
00401186GF-M5	CABLE, 500j', 1/16" 7X7 TS1960MPa MBL2.1KN GALFAN COATING MASS: 23g/m2 (EN12385)	1	1	1	1	1	1	1	1	1	1	1	
CW-2004	OPEN STACONS (1/8")	25	26	27	28	29	30	31	32	33	34	35	
35-0018	AZUMA, PLASTIC NUT & BOLT	25	26	27	28	29	30	31	32	33	34	35	
CW-2008-1M	1/8" CORD 1000 FT	0.2	0.2	0.2	0.2	0.2	0.3	0.3	0.3	0.3	0.3	0.3	
07081400-HD	5' HAND CRANK-OVERHEAD WINCH HOT DIP GALV	ONE PER HOUSE											
H35-0030	7/8" PULLEY, PLASTIC	25	26	27	28	29	30	31	32	33	34	35	
FOR STEEL HOUSE													
7504710	PLATE G-SHAPE HOOK	25	26	27	28	29	30	31	32	33	34	35	
S-P874	SELF DRILLING SCREW SDS #14X1"	30	31	32	33	34	35	36	37	38	39	40	
FOR WOODEN HOUSE													
S-7313	EYEBOLT 11/64-20X3 1/2 OPEN EYE	25	26	27	28	29	30	31	32	33	34	35	



		System Length and Quantities											
Part #	Description	Meters	94	97	100	104	107	110	113	116	119	122	125
		Feet	310	320	330	340	350	360	370	380	390	400	410
CW-3055F-T	WATERING PIPE 15" CTR W/TWIN L		31	32	33	34	35	36	37	38	39	40	41
CW-P0001	WATERING PIPE ACC. KIT		31	32	33	34	35	36	37	38	39	40	41
CW-10233T	Nipple Twin Lock, Purple Cap 30-40 ml/min		248	256	264	272	280	288	296	304	312	320	328
CW-9015	CUP		248	256	264	272	280	288	296	304	312	320	328
CW-5030-pz	10' SUPPORT PIPE 10'3'''-SWEDGED OD 27MM THICKNES		31	32	33	34	35	36	37	38	39	40	41
CW-3030-P	REGULATOR C/W ACCESSORIES		1	1	1	1	1	1	1	1	1	1	1
CW-9500-P	END KIT ASSEMBLY (NEW VERSION)		1	1	1	1	1	1	1	1	1	1	1
CW-9510-P	AIR VENT ASSY (NEW VERSION 2)		4	4	4	4	4	4	4	4	4	4	5
CW-P013	PRESSURE REGULATOR		1.0	1.0	1.0	1.0	1.0	1.0	1.0	1.0	1.0	1.0	1.0
CW-P010	FILTER MEDICATOR KIT		1	1	1	1	1	1	1	1	1	1	1
CW-D25RE2	DOSATRON MEDICATOR 0.2% (1:500) TO 2% (1:50)		1	1	1	1	1	1	1	1	1	1	1
028-00242-P	METER WATER, DN20, BRASS, PULSE OUTPUT, 1.5m CABLE		1	1	1	1	1	1	1	1	1	1	1
CW-2011-P	FILTER CARTRIDGE (REPLACEMENT)		3	3	3	3	3	3	3	3	3	3	3
CW-5006	BRUSH - SIGHT GUAGE CLEANOUT		2	2	2	2	2	2	2	2	2	2	2
S-P400	PINCER, 8"		0	0	0	0	0	0	0	0	0	0	0
HDL1500	H-1500 RED WINCH REG. TYPE395		1	1	1	1	1	1	1	1	1	1	1
07097392GF-M5	Cable, 500' , 1/8" 7X19 TS960MPa MBL7.6KN GALFAN COATING MASS: 25g/m2 (EN12385)		1	1	1	1	1	1	1	1	1	1	1
00401186GF-M5	CABLE, 500j' , 1/16" 7X7 TS1960MPa MBL2.1KN GALFAN COATING MASS: 23g/m2 (EN12385)		1	1	1	1	1	1	1	1	1	1	1
CW-2004	OPEN STACONS (1/8")		36	37	38	39	40	41	42	43	44	45	46
35-0018	AZUMA, PLASTIC NUT & BOLT		36	37	38	39	40	41	42	43	44	45	46
CW-2008-1M	1/8" CORD 1000 FT		0.3	0.3	0.3	0.3	0.4	0.4	0.4	0.4	0.4	0.4	0.4
07081400-HD	5' HAND CRANK-OVERHEAD WINCH HOT DIP GALV		ONE PER HOUSE										
H35-0030	7/8" PULLEY, PLASTIC		36	37	38	39	40	41	42	43	44	45	46
FOR STEEL HOUSE													
7504710	PLATE G-SHAPE HOOK		36	37	38	39	40	41	42	43	44	45	46
S-P874	SELF DRILLING SCREW SDS #14X1"		41	42	43	44	45	46	47	48	49	50	51
FOR WOODEN HOUSE													
S-7313	EYEBOLT 11/64-20X3 1/2 OPEN EYE		36	37	38	39	40	41	42	43	44	45	46

		System Length and Quantities									
Part #	Description	Meters	128	131	134	137	140	143	146	149	152
		Feet	420	430	440	450	460	470	480	490	500
CW-3055F-T	WATERING PIPE 15" CTR W/TWIN L		42	43	44	45	46	47	48	49	50
CW-P0001	WATERING PIPE ACC. KIT		42	43	44	45	46	47	48	49	50
CW-10233T	Nipple Twin Lock, Purple Cap 30-40 ml/min		336	344	352	360	368	376	384	392	400



CW-9015	CUP	336	344	352	360	368	376	384	392	400
CW-5030-pz	10' SUPPORT PIPE 10'3'''-SWEDGED OD 27MM THICKNES	42	43	44	45	46	47	48	49	50
CW-3030-P	REGULATOR C/W ACCESSORIES	1	1	1	1	1	1	1	1	1
CW-9500-P	END KIT ASSEMBLY (NEW VERSION)	1	1	1	1	1	1	1	1	1
CW-9510-P	AIR VENT ASSY (NEW VERSION 2)	5	5	5	5	5	5	5	5	5
CW-P013	PRESSURE REGULATOR	1.0	1.0	1.0	1.0	1.0	1.0	1.0	1.0	1.0
CW-P010	FILTER MEDICATOR KIT	1	1	1	1	1	1	1	1	1
CW-D25RE2	DOSATRON MEDICATOR 0.2% (1:500) TO 2% (1:50)	1	1	1	1	1	1	1	1	1
028-00242-P	METER WATER, DN20, BRASS, PULSE OUTPUT, 1.5m CABLE	1	1	1	1	1	1	1	1	1
CW-2011-P	FILTER CARTRIDGE (REPLACEMENT)	3	3	3	3	3	3	3	3	3
CW-5006	BRUSH - SIGHT GUAGE CLEANOUT	2	2	2	2	2	2	2	2	2
S-P400	PINCER, 8"	0	0	0	0	0	0	0	0	0
HDL1500	H-1500 RED WINCH REG. TYPE395	1	1	1	1	1	1	1	1	1
07097392GF-M5	Cable, 500' , 1/8" 7X19 TS960MPa MBL7.6KN GALFAN COATING MASS: 25g/m2 (EN12385)	1	1	1	1	1	1	1	1	1
00401186GF-M5	CABLE, 500i' , 1/16" 7X7 TS1960MPa MBL2.1KN GALFAN COATING MASS: 23g/m2 (EN12385)	1	1	1	1	1	1	1	1	1
CW-2004	OPEN STACONS (1/8")	47	48	49	50	51	52	53	54	55
35-0018	AZUMA, PLASTIC NUT & BOLT	47	48	49	50	51	52	53	54	55
CW-2008-1M	1/8" CORD 1000 FT	0.4	0.4	0.4	0.5	0.5	0.5	0.5	0.5	0.5
07081400-HD	5' HAND CRANK-OVERHEAD WINCH HOT DIP GALV	ONE PER HOUSE								
H35-0030	7/8" PULLEY, PLASTIC	47	48	49	50	51	52	53	54	55
FOR STEEL HOUSE										
7504710	PLATE G-SHAPE HOOK	47	48	49	50	51	52	53	54	55
S-P874	SELF DRILLING SCREW SDS #14X1"	52	53	54	55	56	57	58	59	60
FOR WOODEN HOUSE										
S-7313	EYEBOLT 11/64-20X3 1/2 OPEN EYE	47	48	49	50	51	52	53	54	55

NOTE: FOR STANDARD HOUSE HEIGHT - 10FT

Watering for Round Pipe

System based on 20" center - 6 Nipples per 10ft section

Part #	Description	System Length and Quantities											
		Meters	61	64	67	70	73	76	79	82	85	88	91
		Feet	200	210	220	230	240	250	260	270	280	290	300
CW-3055G-T	WATERING PIPE 20" CTR W/TWIN L	20	21	22	23	24	25	26	27	28	29	30	
CW-P0001	WATERING PIPE ACC. KIT	20	21	22	23	24	25	26	27	28	29	30	
CW-10233T	Nipple Twin Lock, Purple Cap 30-40 ml/min	120	126	132	138	144	150	156	162	168	174	180	
CW-9015	CUP	120	126	132	138	144	150	156	162	168	174	180	



CW-5030-pz	10' SUPPORT PIPE 10'3'''-SWEDGED OD 27MM THICKNES	20	21	22	23	24	25	26	27	28	29	30
CW-3030-P	REGULATOR C/W ACCESSORIES	1	1	1	1	1	1	1	1	1	1	1
CW-9500-P	END KIT ASSEMBLY (NEW VERSION)	1	1	1	1	1	1	1	1	1	1	1
CW-9510-P	AIR VENT ASSY (NEW VERSION 2)	2	3	3	3	3	3	3	3	3	3	3
CW-P013	PRESSURE REGULATOR	1.0	1.0	1.0	1.0	1.0	1.0	1.0	1.0	1.0	1.0	1.0
CW-P010	FILTER MEDICATOR KIT	1	1	1	1	1	1	1	1	1	1	1
CW-D25RE2	DOSATRON MEDICATOR 0.2% (1:500) TO 2% (1:50)	1	1	1	1	1	1	1	1	1	1	1
028-00242-P	METER WATER, DN20, BRASS, PULSE OUTPUT, 1.5m CABLE	1	1	1	1	1	1	1	1	1	1	1
CW-2011-P	FILTER CARTRIDGE (REPLACEMENT)	3	3	3	3	3	3	3	3	3	3	3
CW-5006	BRUSH - SIGHT GUAGE CLEANOUT	2	2	2	2	2	2	2	2	2	2	2
S-P400	PINCER, 8"	0	0	0	0	0	0	0	0	0	0	0
HDL1500	H-1500 RED WINCH REG. TYPE395	1	1	1	1	1	1	1	1	1	1	1
07097392GF-M5	Cable, 500', 1/8" 7X19 TS960MPa MBL7.6KN GALFAN COATING MASS: 25g/m2 (EN12385)	1	1	1	1	1	1	1	1	1	1	1
00401186GF-M5	CABLE, 500j', 1/16" 7X7 TS1960MPa MBL2.1KN GALFAN COATING MASS: 23g/m2 (EN12385)	1	1	1	1	1	1	1	1	1	1	1
CW-2004	OPEN STACONS (1/8")	25	26	27	28	29	30	31	32	33	34	35
35-0018	AZUMA, PLASTIC NUT & BOLT	25	26	27	28	29	30	31	32	33	34	35
CW-2008-1M	1/8" CORD 1000 FT	0.2	0.2	0.2	0.2	0.2	0.3	0.3	0.3	0.3	0.3	0.3
07081400-HD	5' HAND CRANK-OVERHEAD WINCH HOT DIP GALV	ONE PER HOUSE										
H35-0030	7/8" PULLEY, PLASTIC	25	26	27	28	29	30	31	32	33	34	35

FOR STEEL HOUSE

7504710	PLATE G-SHAPE HOOK	25	26	27	28	29	30	31	32	33	34	35
S-P874	SELF DRILLING SCREW SDS #14X1"	30	31	32	33	34	35	36	37	38	39	40

FOR WOODEN HOUSE

S-7313	EYEBOLT 11/64-20X3 1/2 OPEN EYE	25	26	27	28	29	30	31	32	33	34	35
--------	---------------------------------	----	----	----	----	----	----	----	----	----	----	----

System Length and Quantities

Part #	Description	Meters	94	97	100	104	107	110	113	116	119	122	125
		Feet	310	320	330	340	350	360	370	380	390	400	410
CW-3055G-T	WATERING PIPE 20" CTR W/TWIN L	31	32	33	34	35	36	37	38	39	40	41	
CW-P0001	WATERING PIPE ACC. KIT	31	32	33	34	35	36	37	38	39	40	41	
CW-10233T	Nipple Twin Lock, Purple Cap 30-40 ml/min	186	192	198	204	210	216	222	228	234	240	246	
CW-9015	CUP	186	192	198	204	210	216	222	228	234	240	246	
CW-5030-PZ	10' SUPPORT PIPE 10'3'''-SWEDGED OD 27MM THICKNES	31	32	33	34	35	36	37	38	39	40	41	
CW-3030-P	REGULATOR C/W ACCESSORIES	1	1	1	1	1	1	1	1	1	1	1	
CW-9500-P	END KIT ASSEMBLY (NEW VERSION)	1	1	1	1	1	1	1	1	1	1	1	
CW-9510-P	AIR VENT ASSY (NEW VERSION 2)	4	4	4	4	4	4	4	4	4	4	5	
CW-P013	PRESSURE REGULATOR	1.0	1.0	1.0	1.0	1.0	1.0	1.0	1.0	1.0	1.0	1.0	



CW-P010	FILTER MEDICATOR KIT	1	1	1	1	1	1	1	1	1	1	1
CW-D25RE2	DOSATRON MEDICATOR 0.2% (1:500) TO 2% (1:50)	1	1	1	1	1	1	1	1	1	1	1
028-00242-P	METER WATER, DN20, BRASS, PULSE OUTPUT, 1.5m CABLE	1	1	1	1	1	1	1	1	1	1	1
CW-2011-P	FILTER CARTRIDGE (REPLACEMENT)	3	3	3	3	3	3	3	3	3	3	3
CW-5006	BRUSH - SIGHT GUAGE CLEANOUT	2	2	2	2	2	2	2	2	2	2	2
S-P400	PINCER, 8"	0	0	0	0	0	0	0	0	0	0	0
HDL1500	H-1500 RED WINCH REG. TYPE395	1	1	1	1	1	1	1	1	1	1	1
07097392GF-M5	Cable, 500' , 1/8" 7X19 TS960MPa MBL7.6KN GALFAN COATING MASS: 25g/m2 (EN12385)	1	1	1	1	1	1	1	1	1	1	1
00401186GF-M5	CABLE, 500j , 1/16" 7X7 TS1960MPa MBL2.1KN GALFAN COATING MASS: 23g/m2 (EN12385)	1	1	1	1	1	1	1	1	1	1	1
CW-2004	OPEN STACONS (1/8")	36	37	38	39	40	41	42	43	44	45	46
35-0018	AZUMA, PLASTIC NUT & BOLT	36	37	38	39	40	41	42	43	44	45	46
CW-2008-1M	1/8" CORD 1000 FT	0.3	0.3	0.3	0.3	0.4	0.4	0.4	0.4	0.4	0.4	0.4
07081400-HD	5' HAND CRANK-OVERHEAD WINCH HOT DIP GALV	ONE PER HOUSE										
H35-0030	7/8" PULLEY, PLASTIC	36	37	38	39	40	41	42	43	44	45	46

FOR STEEL HOUSE

7504710	PLATE G-SHAPE HOOK	36	37	38	39	40	41	42	43	44	45	46
S-P874	SELF DRILLING SCREW SDS #14X1"	41	42	43	44	45	46	47	48	49	50	51

FOR WOODEN HOUSE

S-7313	EYEBOLT 11/64-20X3 1/2 OPEN EYE	36	37	38	39	40	41	42	43	44	45	46
--------	---------------------------------	----	----	----	----	----	----	----	----	----	----	----

Part #	Description	System Length and Quantities										
		Meters	128	131	134	137	140	143	146	149	152	
		Feet	420	430	440	450	460	470	480	490	500	
CW-3055G-T	WATERING PIPE 20" CTR W/TWIN L	42	43	44	45	46	47	48	49	50		
CW-P0001	WATERING PIPE ACC. KIT	42	43	44	45	46	47	48	49	50		
CW-10233T	Nipple Twin Lock, Purple Cap 30-40 ml/min	252	258	264	270	276	282	288	294	300		
CW-9015	CUP	252	258	264	270	276	282	288	294	300		
CW-5030-PZ	10' SUPPORT PIPE 10'3""-SWEDGED OD 27MM THICKNES	43	44	45	46	47	48	49	50	51		
CW-3030-P	REGULATOR C/W ACCESSORIES	1	1	1	1	1	1	1	1	1		
CW-9500-P	END KIT ASSEMBLY (NEW VERSION)	1	1	1	1	1	1	1	1	1		
CW-9510-P	AIR VENT ASSY (NEW VERSION 2)	5	5	5	5	5	5	5	5	5		
CW-P013	PRESSURE REGULATOR	1.0	1.0	1.0	1.0	1.0	1.0	1.0	1.0	1.0		
CW-P010	FILTER MEDICATOR KIT	1	1	1	1	1	1	1	1	1		
CW-D25RE2	DOSATRON MEDICATOR 0.2% (1:500) TO 2% (1:50)	1	1	1	1	1	1	1	1	1		
028-00242-P	METER WATER, DN20, BRASS, PULSE OUTPUT, 1.5m CABLE	1	1	1	1	1	1	1	1	1		
CW-2011-P	FILTER CARTRIDGE (REPLACEMENT)	3	3	3	3	3	3	3	3	3		
CW-5006	BRUSH - SIGHT GUAGE CLEANOUT	2	2	2	2	2	2	2	2	2		

S-P400	PINCER, 8"	0	0	0	0	0	0	0	0	0
HDL1500	H-1500 RED WINCH REG. TYPE395	1	1	1	1	1	1	1	1	1
07097392GF-M5	Cable, 500' , 1/8" 7X19 TS960MPa MBL7.6KN GALFAN COATING MASS: 25g/m2 (EN12385)	1	1	1	1	1	1	1	1	1
00401186GF-M5	CABLE, 500i , 1/16" 7X7 TS1960MPa MBL2.1KN GALFAN COATING MASS: 23g/m2 (EN12385)	1	1	1	1	1	1	1	1	1
CW-2004	OPEN STACONS (1/8")	47	48	49	50	51	52	53	54	55
35-0018	AZUMA, PLASTIC NUT & BOLT	47	48	49	50	51	52	53	54	55
CW-2008-1M	1/8" CORD 1000 FT	0.4	0.4	0.4	0.5	0.5	0.5	0.5	0.5	0.5
07081400-HD	5' HAND CRANK-OVERHEAD WINCH HOT DIP GALV	ONE PER HOUSE								
H35-0030	7/8" PULLEY, PLASTIC	47	48	49	50	51	52	53	54	55
FOR STEEL HOUSE										
7504710	PLATE G-SHAPE HOOK	47	48	49	50	51	52	53	54	55
S-P874	SELF DRILLING SCREW SDS #14X1"	52	53	54	55	56	57	58	59	60
FOR WOODEN HOUSE										
S-7313	EYEBOLT 11/64-20X3 1/2 OPEN EYE	47	48	49	50	51	52	53	54	55

NOTE: FOR STANDARD HOUSE HEIGHT - 10FT



Floor Nipple Kits, with Round Pipe and Saddle, without Twin Lock

Part#	Description	Lbs.	Kgs.	Price
CW-3055B-T	WATERING PIPE 6" CTR W/TWIN L	1.96	0.89	11.70
CW-3055C-T	WATERING PIPE 8" CTR W/TWIN LO	1.87	0.85	10.56
CW-3055D-T	WATERING PIPE 10" CTR W/TWIN L	1.87	0.85	9.87
CW-3055F-T	WATERING PIPE 15" CTR W/TWIN L	1.76	0.80	8.94
CW-3055G-T	WATERING PIPE 20" CTR W/TWIN L	1.65	0.75	8.49

Floor Nipple Kits, with Round Pipe and Saddle, without J Lock

Part#	Description	Lbs.	Kgs.	Price
CW-3055B	WATERING PIPE 6" CTR W/SADDLE	1.87	0.85	12.71
CW-3055C	WATERING PIPE 8" CTR W/SADDLES	1.78	0.81	11.31
CW-3055D	WATERING PIPE 10" CTR W/SADDLE	1.74	0.79	10.48
CW-3055F	WATERING PIPE 15" CTR W/SADDLE	1.69	0.77	9.35

Round Pipe Nipple

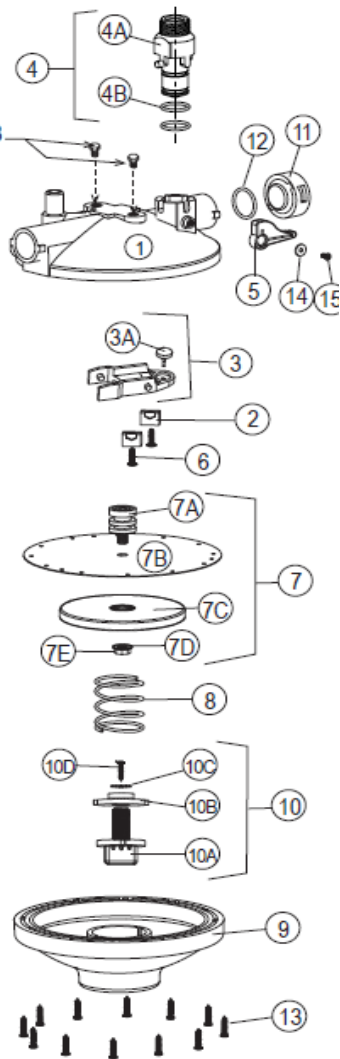
Part#	Description	Lbs.	Kgs.	Price
CW-9035T	Nipple Twin Lock, Red Cap, 38 ml/min	0.02	0.01	1.92
CW-8035T	S.S. BLACK CAP NIPPLE / TWIN LOCK	0.02	0.01	1.83
CW-9197T	NIPPLE VALVE-WHT CAP TWIN LOCK	0.02	0.01	1.97
CW-9580T	NIPPLE VALVE-GRAY CAP TWIN LOCK	0.00	0.00	1.83
CW-10233T	Nipple Twin Lock, Purple Cap 30-40 ml/min	0.02	0.01	1.97
CW-9197	HIGH FLOW BROILER NIPPLE	0.02	0.01	1.88
CW-9580	NIPPLE VALVE - GRAY CAP - S.S.	0.02	0.01	1.88
CW-10233	Nipple J-Lock, Purple Cap, 30-40 ml/min	0.02	0.01	1.93



Regulators, Drink Cups, End Kits & Air Vent for Round Pipe

Part#	Description	Lbs.	Kgs.	Price
CW-3030	REGULATOR C/W ACCESSORIES	4.05	1.84	119.58
CW-3030-P	REGULATOR C/W ACCESSORIES	4.07	1.85	119.58
CW-9015	CUP	0.09	0.04	0.77
CW-9310	ROUND DRINKER CUP	0.04	0.02	0.73
CW-9500-P	END KIT ASSEMBLY (NEW VERSION)	1.39	0.63	31.35
CW-BN1008	END KIT ASSEMBLY (CUMBERLAND)	1.30	0.59	92.64
CW-9510-P	AIR VENT ASSY (NEW VERSION 2)	1.25	0.57	22.96

Pre-assembled on CW-3023
BOLT 1/4-20X1/2 S.S.HHCS
P/N:S-4616, QTY:2



ITM	Part No.	QTY	DESCRIPTION
1	CW-3023	1	REGULATOR TOP ASSY
2	CW-3011	2	INTERNAL PLUNGER RETAINER
3	CW-3028	1	PLUNGER ASSEMBLY
3A	CW-3021	1	INTERNAL PLUNGER SEAL
4	CW-3024	1	INLET ASSEMBLY
4A	CW-3012	1	INLET, REGULATOR
4B	CW-3002	2	O-RING, T0.103" X ID0.737"
5	CW-3014R1	1	FLUSH LEVER, REGULATOR
6	S-7669	2	SCREW SMSAB #12X3/4 PHP SS
7	CW-3026	1	DIAPHRAGM ASSEMBLY
7A	CW-3007	1	CENTRE DIAPHRAGM MOUNT
7B	CW-3001	1	DIAPHRAGM, REGULATOR
7C	CW-3013	1	DIAPHRAGM PADDLE, REGULATOR
7D	S-7021	1	WASHER FLAT SUS 3/8"
7E	S-P7383	1	NUT 3/8-16 SUS
8	CW-3003	1	SPRING
9	CW-3005	1	REGULATOR BOTTOM
10	CW-3027	1	ADJUSTER ASSEMBLY
10A	CW-3008	1	ADJUSTER KNOB C/W PRINTING
10B	CW-3009	1	INTERNAL ADJUSTER
10C	S-8670-P	1	WASHER, OD0.76 ID0.215
10D	S-8668	1	SCREW TRS #8 X 1/2 SUS PHP
11	CW-3018	1	END CAP
12	CW-5027	1	WATERING O RING
13	S-8668	12	SCREW TRS #8X1/2 PHP SS
14	S-9249	1	WASHER FLAT 3.5MM WIDE SS
15	S-7662	1	SCREW MS #6-32X1/4 PHP SS

Regulator, End Kits & Air Vents Spare Parts

Part#	Description	Lbs.	Kgs.	Price
CW-3001	DIAPHRAGM, REGULATOR	0.09	0.04	3.90
CW-3021-P	SEAL INTERNAL PLUNGER SANTOPRENE	0.00	0.00	0.54
CW-3001K	REPAIR KIT, REGULATOR	0.09	0.04	3.84
CW-3013	DIAPHRAGM PADDLE, REGULATOR	0.13	0.06	0.89
CW-3011	INTERNAL PLUNGER RETAINER	0.00	0.00	0.23
CW-3014R1	FLUSH LEVER, REGULATOR	0.02	0.01	0.66

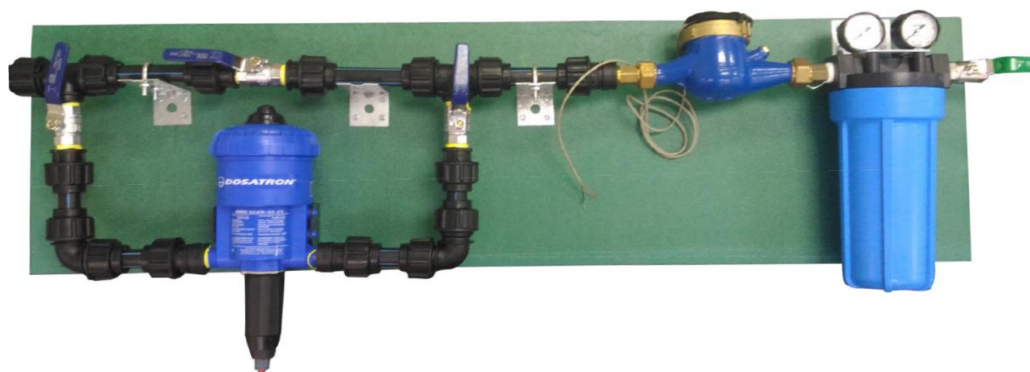


Part#	Description	Lbs.	Kgs.	Price
CW-3018	END CAP, REGULATOR	0.04	0.02	1.12
CW-3019	REGULATOR MOUNT BRACKET	0.26	0.12	3.68
CW-3023	TOP WELDMENT, REGULATOR	0.75	0.34	6.67
CW-3024	INLET ASSEMBLY	0.07	0.03	2.65
CW-3026	DIAPHRAM ASSEMBLY	0.29	0.13	9.92
CW-3027	ADJUSTER ASSEMBLY	0.00	0.00	1.76
CW-3040-P	ADJUSTER KNOB ASSEMBLY	0.07	0.03	1.70
CW-5027	O-RING, T0.103" X ID1.049"	0.02	0.01	0.34
CW-3065	END KIT HOUSING (CUMBERLAND)	0.18	0.08	25.23
CW-10054	END KIT HOUSING	0.09	0.04	10.34
CW-10055	AIR VENT WELD ASSY	0.09	0.04	8.00

Watering System Items for Round Pipe

Part#	Description	Lbs.	Kgs.	Price
CW-P0001	WATERING PIPE ACC. KIT	0.00	0.00	5.34
CW-10008	FOLDING HANGER	0.04	0.02	0.85
07502493	PIPE, MANAGEMENT HI-LO PAN & WATERING	0.62	0.28	10.12
CW-4078A	SUPPORT CLAMP	0.13	0.06	1.26
CW-5034	BOLT 1/4-20X1 3/4 SLOT PH RD HD	0.02	0.01	0.13
CW-5035	NUT 1/4-20 SQ HEAD PLATED	0.00	0.00	0.18
CW-10048	FLUSH ASSEMBLY CAP	0.00	0.00	0.31
CW-10052	FLUSH ASSEMBLY INSERT	0.00	0.00	0.41
CW-9014	S. STEEL BALL	0.00	0.00	0.66
CW-9142	O-RING #2-013	0.00	0.00	0.15
CW-2064	NIPPLE WRENCH	0.04	0.02	7.11
S-P400	PINCER, 8"	0.09	0.04	21.22
CW-5006	BRUSH - SIGHT GUAGE CLEANOUT	0.20	0.09	2.93
CW-3067-B	BRASS SHUT OFF VALVE	0.24	0.11	10.77
CW-3055	PIPE-PVC 10' BY 1.05 OD-.90 ID	1.56	0.71	6.23
CW-2003	CORD ADJUSTERW/O LOGO	0.00	0.00	0.42
CW-2003-P	CORD ADJUSTER W CUMBERLAND LOGO	0.00	0.00	0.32

Part#	Description	Lbs.	Kgs.	Price
CW-5031	SPRING,SUS1.35XOD10.6XBL59MMSRING,SS 3" OAL X 4.18 OD	0.04	0.02	1.06
CW-9051	FLEX GUAGE TUBE	0.22	0.10	3.68
CW-9052	SPRING 22"FOR SIGHT GUAGE TUBE	0.20	0.09	9.43
CW-9136	PLASTIC SNAP LOCK	0.00	0.00	0.17
CW-9600	HOSE CLAMP-3\4"-7\8" BLK NYLON	0.04	0.02	0.69
CW-P008	TWIN LOCK SADDLE, PVC	0.02	0.01	0.23
CW-2072-10M	HOSE, GARDEN, GREEN, 10M PER ROLL, ID 15.9MM, THICKNESS 2.5MM	4.40	2.00	22.89
CW-5006	BRUSH - SIGHT GUAGE CLEANOUT	0.20	0.09	2.93



Filtration and Medication

Part#	Description	Lbs.	Kgs.	Price
CW-D25RE2	DOSATRON MEDICATOR 0.2% (1:500) TO 2% (1:50)	4.03	1.83	854.91
CW-2022	SP-7915 HN55 MEDICATOR CH9000-310 1:100 RATIO WITH FG9410-V	5.72	2.60	837.66
CW-2022-AL	HN 55 CHEMILIZER MOTOR & ADJUSTABLE LOWER END WITH VITON SEALS (0.6% - 2%)	6.93	3.15	979.84
CW-2025	FILTER & FTR/MEDICATOR MANIFLD	7.04	3.20	148.00
028-00242-P	METER WATER, DN20, BRASS, PULSE OUTPUT, 1.5m CABLE	3.70	1.68	237.84
CW-P013	PRESSURE REGULATOR	0.95	0.43	79.21
CW-P010	FILTER MEDICATOR KIT	9.59	4.36	178.31
CW-P015	FILTER MEDICATOR KIT COMPLETE ASSEMBLY	36.74	16.70	1254.74
CW-2023	CP33 CHEMICAL INJECTOR C/W CH6000-211M 24GPH VITON	7.44	3.38	1101.97
CW-2017-RW	FILTER HOUSING ONLY W/ 2 THREADED HOLES	0.00	0.00	47.78
CW-4022-P	GUAGE FOR FILTER (0-100 PSI)	0.24	0.11	21.22
CW-2011-P	FILTER CARTRIDGE (REPLACEMENT)	0.33	0.15	7.13

**Winching Components for Watering System**

Part#	Description	Lbs.	Kgs.	Price
HDL1500	H-1500 RED WINCH REG. TYPE395	11.66	5.30	78.55
07097392GF-M5	Cable, 500' , 1/8" 7X19 TS960MPa MBL7.6KN GALFAN COATING MASS: 25g/m2 (EN12385)	14.96	6.80	112.88
00401186GF-M5	CABLE, 500i' , 1/16" 7X7 TS1960MPa MBL2.1KN GALFAN COATING MASS: 23g/m2 (EN12385)	4.09	1.86	46.04
CW-2004	OPEN STACONS (1/8")	0.00	0.00	0.85
CW-2007	SLEEVE NICO 1/16" X 1/16"	0.00	0.00	0.28
35-0018	AZUMA, PLASTIC NUT & BOLT	0.02	0.01	0.49
CW-2008-1M	1/8" CORD 1000 FT	4.64	2.11	74.88
07081400-HD	5' HAND CRANK-OVERHEAD WINCH HOT DIP GALV	4.05	1.84	21.64
H35-0030	7/8" PULLEY, PLASTIC	0.04	0.02	0.88
7504710	PLATE G-SHAPE HOOK	0.09	0.04	0.86
S-P874	SELF DRILLING SCREW SDS #14X1"	0.02	0.01	0.18
S-7313	EYEBOLT 11/64-20X3 1/2 OPEN EYE	0.04	0.02	1.15



Watering for Square Pipe

System based on 6" center - 20 Nipples per 10ft section

		System Length and Quantities											
Part #	Description	Meters	61	64	67	70	73	76	79	82	85	88	91
		Feet	200	210	220	230	240	250	260	270	280	290	300
CW-10021-6-MX	10' SQ PIPE (PITCH 6") W/MX NIPPLE	20	21	22	23	24	25	26	27	28	29	30	
CW-5155	SQUARE PIPE ACCESSORIES	20	21	22	23	24	25	26	27	28	29	30	
CW-10024	SCREW NIPPLE CUP	400	420	440	460	480	500	520	540	560	580	600	
CW-5030-pz	10' SUPPORT PIPE 10'3""-SWEDGED OD 27MM THICKNES	20	21	22	23	24	25	26	27	28	29	30	
CW-10028	SQUARE PIPE REGULATOR C/W ACCESSORIES	1	1	1	1	1	1	1	1	1	1	1	1
CW-10020	END KIT (SQUARE PIPE)	2	2	2	2	2	2	2	2	2	2	2	2
CW-10025	AIR VENT (SQUARE PIPE)	0	0	0	0	0	0	0	0	0	0	0	0
CW-P013	PRESSURE REGULATOR	1	1	1	1	1	1	1	1	1	1	1	1
CW-P010	FILTER MEDICATOR KIT	1.0	1.0	1.0	1.0	1.0	1.0	1.0	1.0	1.0	1.0	1.0	1.0
CW-D25RE2	DOSATRON MEDICATOR 0.2% (1:500) TO 2% (1:50)	1	1	1	1	1	1	1	1	1	1	1	1
028-00242-P	METER WATER, DN20, BRASS, PULSE OUTPUT, 1.5m CABLE	1	1	1	1	1	1	1	1	1	1	1	1
CW-2011-P	FILTER CARTRIDGE (REPLACEMENT)	3	3	3	3	3	3	3	3	3	3	3	3
CW-5006	BRUSH - SIGHT GUAGE CLEANOUT	2	2	2	2	2	2	2	2	2	2	2	2
S-P400	PINCER, 8"	1	1	1	1	1	1	1	1	1	1	1	1
HDL1500	H-1500 RED WINCH REG. TYPE395	1	1	1	1	1	1	1	1	1	1	1	1
07097392GF-M5	Cable, 500' , 1/8" 7X19 TS960MPa MBL7.6KN GALFAN COATING MASS: 25g/m2 (EN12385)	1	1	1	1	1	1	1	1	1	1	1	1
00401186GF-M5	CABLE, 500j , 1/16" 7X7 TS1960MPa MBL2.1KN GALFAN COATING MASS: 23g/m2 (EN12385)	1	1	1	1	1	1	1	1	1	1	1	1
CW-2004	OPEN STACONS (1/8")	25	26	27	28	29	30	31	32	33	34	35	
35-0018	AZUMA, PLASTIC NUT & BOLT	25	26	27	28	29	30	31	32	33	34	35	
CW-2008-1M	1/8" CORD 1000 FT	0.2	0.2	0.2	0.2	0.2	0.3	0.3	0.3	0.3	0.3	0.3	0.3



07081400-HD	5' HAND CRANK-OVERHEAD WINCH HOT DIP GALV	ONE PER HOUSE										
H35-0030	7/8" PULLEY, PLASTIC	25	26	27	28	29	30	31	32	33	34	35
FOR STEEL HOUSE												
7504710	PLATE G-SHAPE HOOK	25	26	27	28	29	30	31	32	33	34	35
S-P874	SELF DRILLING SCREW SDS #14X1"	30	31	32	33	34	35	36	37	38	39	40
FOR WOODEN HOUSE												
S-7313	EYEBOLT 11/64-20X3 1/2 OPEN EYE	25	26	27	28	29	30	31	32	33	34	35

System Length and Quantities													
Part #	Description	Meters	94	97	100	104	107	110	113	116	119	122	125
		Feet	310	320	330	340	350	360	370	380	390	400	410
CW-10021-6-MX	10' SQ PIPE (PITCH 6") W/MX NIPPLE	31	32	33	34	35	36	37	38	39	40	41	
CW-5155	SQUARE PIPE ACCESSORIES	31	32	33	34	35	36	37	38	39	40	41	
CW-10024	SCREW NIPPLE CUP	620	640	660	680	700	720	740	760	780	800	820	
CW-5030-pz	10' SUPPORT PIPE 10'3""-SWEDGED OD 27MM THICKNES	31	32	33	34	35	36	37	38	39	40	41	
CW-10028	SQUARE PIPE REGULATOR C/W ACCESSORIES	1	1	1	1	1	1	1	1	1	1	2	2
CW-10020	END KIT (SQUARE PIPE)	2	2	2	2	2	2	2	2	2	2	2	2
CW-10025	AIR VENT (SQUARE PIPE)	0	0	0	0	0	0	0	0	0	0	2	2
CW-P013	PRESSURE REGULATOR	1	1	1	1	1	1	1	1	1	1	1	1
CW-P010	FILTER MEDICATOR KIT	1.0	1.0	1.0	1.0	1.0	1.0	1.0	1.0	1.0	1.0	1.0	1.0
CW-D25RE2	DOSATRON MEDICATOR 0.2% (1:500) TO 2% (1:50)	1	1	1	1	1	1	1	1	1	1	1	1
028-00242-P	METER WATER, DN20, BRASS, PULSE OUTPUT, 1.5m CABLE	1	1	1	1	1	1	1	1	1	1	1	1
CW-2011-P	FILTER CARTRIDGE (REPLACEMENT)	3	3	3	3	3	3	3	3	3	3	3	3
CW-5006	BRUSH - SIGHT GUAGE CLEANOUT	2	2	2	2	2	2	2	2	2	2	2	2
S-P400	PINCER, 8"	1	1	1	1	1	1	1	1	1	1	1	1
HDL1500	H-1500 RED WINCH REG. TYPE395	1	1	1	1	1	1	1	1	1	1	1	1
07097392GF-M5	Cable, 500', 1/8" 7X19 TS960MPa MBL7.6KN GALFAN COATING MASS: 25g/m2 (EN12385)	1	1	1	1	1	1	1	1	1	1	1	1
00401186GF-M5	CABLE, 500j', 1/16" 7X7 TS1960MPa MBL2.1KN GALFAN COATING MASS: 23g/m2 (EN12385)	1	1	1	1	1	1	1	1	1	1	1	1
CW-2004	OPEN STACONS (1/8")	36	37	38	39	40	41	42	43	44	45	46	
35-0018	AZUMA, PLASTIC NUT & BOLT	36	37	38	39	40	41	42	43	44	45	46	
CW-2008-1M	1/8" CORD 1000 FT	0.3	0.3	0.3	0.3	0.4	0.4	0.4	0.4	0.4	0.4	0.4	0.4
07081400-HD	5' HAND CRANK-OVERHEAD WINCH HOT DIP GALV	ONE PER HOUSE											
H35-0030	7/8" PULLEY, PLASTIC	36	37	38	39	40	41	42	43	44	45	46	
FOR STEEL HOUSE													
7504710	PLATE G-SHAPE HOOK	36	37	38	39	40	41	42	43	44	45	46	
S-P874	SELF DRILLING SCREW SDS #14X1"	41	42	43	44	45	46	47	48	49	50	51	



FOR WOODEN HOUSE

S-7313	EYEBOLT 11/64-20X3 1/2 OPEN EYE	36	37	38	39	40	41	42	43	44	45	46
--------	---------------------------------	----	----	----	----	----	----	----	----	----	----	----

		System Length and Quantities											
Part #	Description	Meters	128	131	134	137	140	143	146	149	152		
		Feet	420	430	440	450	460	470	480	490	500		

CW-10021-6-MX	10' SQ PIPE (PITCH 6") W/MX NIPPLE	42	43	44	45	46	47	48	49	50		
CW-5155	SQUARE PIPE ACCESSORIES	42	43	44	45	46	47	48	49	50		
CW-10024	SCREW NIPPLE CUP	840	860	880	900	920	940	960	980	1000		
CW-5030-pz	10' SUPPORT PIPE 10'3""-SWEDGED OD 27MM THICKNES	42	43	44	45	46	47	48	49	50		
CW-10028	SQUARE PIPE REGULATOR C/W ACCESSORIES	2	2	2	2	2	2	2	2	2		
CW-10020	END KIT (SQUARE PIPE)	2	2	2	2	2	2	2	2	2		
CW-10025	AIR VENT (SQUARE PIPE)	2	2	2	2	2	2	2	2	2		
CW-P013	PRESSURE REGULATOR	1	1	1	1	1	1	1	1	1		
CW-P010	FILTER MEDICATOR KIT	1.0	1.0	1.0	1.0	1.0	1.0	1.0	1.0	1.0		
CW-D25RE2	DOSATRON MEDICATOR 0.2% (1:500) TO 2% (1:50)	1	1	1	1	1	1	1	1	1		
028-00242-P	METER WATER, DN20, BRASS, PULSE OUTPUT, 1.5m CABLE	1	1	1	1	1	1	1	1	1		
CW-2011-P	FILTER CARTRIDGE (REPLACEMENT)	3	3	3	3	3	3	3	3	3		
CW-5006	BRUSH - SIGHT GUAGE CLEANOUT	2	2	2	2	2	2	2	2	2		
S-P400	PINCER, 8"	1	1	1	1	1	1	1	1	1		
HDL1500	H-1500 RED WINCH REG. TYPE395	1	1	1	1	1	1	1	1	1		
07097392GF-M5	Cable, 500' , 1/8" 7X19 TS960MPa MBL7.6KN GALFAN COATING MASS: 25g/m2 (EN12385)	1	1	1	1	1	1	1	1	1		
00401186GF-M5	CABLE, 500' , 1/16" 7X7 TS1960MPa MBL2.1KN GALFAN COATING MASS: 23g/m2 (EN12385)	1	1	1	1	1	1	1	1	1		
CW-2004	OPEN STACONS (1/8")	47	48	49	50	51	52	53	54	55		
35-0018	AZUMA, PLASTIC NUT & BOLT	47	48	49	50	51	52	53	54	55		
CW-2008-1M	1/8" CORD 1000 FT	0.4	0.4	0.4	0.5	0.5	0.5	0.5	0.5	0.5		
07081400-HD	5' HAND CRANK-OVERHEAD WINCH HOT DIP GALV											ONE PER HOUSE
H35-0030	7/8" PULLEY, PLASTIC	47	48	49	50	51	52	53	54	55		

FOR STEEL HOUSE

7504710	PLATE G-SHAPE HOOK	47	48	49	50	51	52	53	54	55		
S-P874	SELF DRILLING SCREW SDS #14X1"	52	53	54	55	56	57	58	59	60		

FOR WOODEN HOUSE

S-7313	EYEBOLT 11/64-20X3 1/2 OPEN EYE	47	48	49	50	51	52	53	54	55		
--------	---------------------------------	----	----	----	----	----	----	----	----	----	--	--



Watering for Square Pipe

System based on 8" center - 15 Nipples per 10ft section

Part #	Description	System Length and Quantities											
		Meters	61	64	67	70	73	76	79	82	85	88	91
		Feet	200	210	220	230	240	250	260	270	280	290	300
CW-10021-8-MX	10' SQ PIPE (PITCH 8") W/MX NIPPLE		20	21	22	23	24	25	26	27	28	29	30
CW-5155	SQUARE PIPE ACCESSORIES		20	21	22	23	24	25	26	27	28	29	30
CW-10024	SCREW NIPPLE CUP		300	315	330	345	360	375	390	405	420	435	450
CW-5030-pz	10' SUPPORT PIPE 10'3""-SWEDGED OD 27MM THICKNES		20	21	22	23	24	25	26	27	28	29	30
CW-10028	SQUARE PIPE REGULATOR C/W ACCESSORIES		1	1	1	1	1	1	1	1	1	1	1
CW-10020	END KIT (SQUARE PIPE)		2	2	2	2	2	2	2	2	2	2	2
CW-10025	AIR VENT (SQUARE PIPE)		0	0	0	0	0	0	0	0	0	0	0
CW-P013	PRESSURE REGULATOR		1	1	1	1	1	1	1	1	1	1	1
CW-P010	FILTER MEDICATOR KIT		1.0	1.0	1.0	1.0	1.0	1.0	1.0	1.0	1.0	1.0	1.0
CW-D25RE2	DOSATRON MEDICATOR 0.2% (1:500) TO 2% (1:50)		1	1	1	1	1	1	1	1	1	1	1
028-00242-P	METER WATER, DN20, BRASS, PULSE OUTPUT, 1.5m CABLE		1	1	1	1	1	1	1	1	1	1	1
CW-2011-P	FILTER CARTRIDGE (REPLACEMENT)		3	3	3	3	3	3	3	3	3	3	3
CW-5006	BRUSH - SIGHT GUAGE CLEANOUT		2	2	2	2	2	2	2	2	2	2	2
S-P400	PINCER, 8"		1	1	1	1	1	1	1	1	1	1	1
HDL1500	H-1500 RED WINCH REG. TYPE395		1	1	1	1	1	1	1	1	1	1	1
07097392GF-M5	Cable, 500' , 1/8" 7X19 TS960MPa MBL7.6KN GALFAN COATING MASS: 25g/m2 (EN12385)		1	1	1	1	1	1	1	1	1	1	1
00401186GF-M5	CABLE, 500j , 1/16" 7X7 TS1960MPa MBL2.1KN GALFAN COATING MASS: 23g/m2 (EN12385)		1	1	1	1	1	1	1	1	1	1	1
CW-2004	OPEN STACONS (1/8")		25	26	27	28	29	30	31	32	33	34	35
35-0018	AZUMA, PLASTIC NUT & BOLT		25	26	27	28	29	30	31	32	33	34	35
CW-2008-1M	1/8" CORD 1000 FT		0.2	0.2	0.2	0.2	0.2	0.3	0.3	0.3	0.3	0.3	0.3
07081400-HD	5' HAND CRANK-OVERHEAD WINCH HOT DIP GALV		ONE PER HOUSE										
H35-0030	7/8" PULLEY, PLASTIC		25	26	27	28	29	30	31	32	33	34	35
FOR STEEL HOUSE													
7504710	PLATE G-SHAPE HOOK		25	26	27	28	29	30	31	32	33	34	35
S-P874	SELF DRILLING SCREW SDS #14X1"		30	31	32	33	34	35	36	37	38	39	40
FOR WOODEN HOUSE													
S-7313	EYEBOLT 11/64-20X3 1/2 OPEN EYE		25	26	27	28	29	30	31	32	33	34	35



		System Length and Quantities											
Part #	Description	Meters	94	97	100	104	107	110	113	116	119	122	125
		Feet	310	320	330	340	350	360	370	380	390	400	410
CW-10021-8-MX	10' SQ PIPE (PITCH 8") W/MX NIPPLE		31	32	33	34	35	36	37	38	39	40	41
CW-5155	SQUARE PIPE ACCESSORIES		31	32	33	34	35	36	37	38	39	40	41
CW-10024	SCREW NIPPLE CUP		465	480	495	510	525	540	555	570	585	600	615
CW-5030-pz	10' SUPPORT PIPE 10'3"-SWEDGED OD 27MM THICKNES		31	32	33	34	35	36	37	38	39	40	41
CW-10028	SQUARE PIPE REGULATOR C/W ACCESSORIES		1	1	1	1	1	1	1	1	1	2	2
CW-10020	END KIT (SQUARE PIPE)		2	2	2	2	2	2	2	2	2	2	2
CW-10025	AIR VENT (SQUARE PIPE)		0	0	0	0	0	0	0	0	0	2	2
CW-P013	PRESSURE REGULATOR		1	1	1	1	1	1	1	1	1	1	1
CW-P010	FILTER MEDICATOR KIT		1.0	1.0	1.0	1.0	1.0	1.0	1.0	1.0	1.0	1.0	1.0
CW-D25RE2	DOSATRON MEDICATOR 0.2% (1:500) TO 2% (1:50)		1	1	1	1	1	1	1	1	1	1	1
028-00242-P	METER WATER, DN20, BRASS, PULSE OUTPUT, 1.5m CABLE		1	1	1	1	1	1	1	1	1	1	1
CW-2011-P	FILTER CARTRIDGE (REPLACEMENT)		3	3	3	3	3	3	3	3	3	3	3
CW-5006	BRUSH - SIGHT GUAGE CLEANOUT		2	2	2	2	2	2	2	2	2	2	2
S-P400	PINCER, 8"		1	1	1	1	1	1	1	1	1	1	1
HDL1500	H-1500 RED WINCH REG. TYPE395		1	1	1	1	1	1	1	1	1	1	1
07097392GF-M5	Cable, 500', 1/8" 7X19 TS960MPa MBL7.6KN GALFAN COATING MASS: 25g/m2 (EN12385)		1	1	1	1	1	1	1	1	1	1	1
00401186GF-M5	CABLE, 500', 1/16" 7X7 TS1960MPa MBL2.1KN GALFAN COATING MASS: 23g/m2 (EN12385)		1	1	1	1	1	1	1	1	1	1	1
CW-2004	OPEN STACONS (1/8")		36	37	38	39	40	41	42	43	44	45	46
35-0018	AZUMA, PLASTIC NUT & BOLT		36	37	38	39	40	41	42	43	44	45	46
CW-2008-1M	1/8" CORD 1000 FT		0.3	0.3	0.3	0.3	0.4	0.4	0.4	0.4	0.4	0.4	0.4
07081400-HD	5' HAND CRANK-OVERHEAD WINCH HOT DIP GALV		ONE PER HOUSE										
H35-0030	7/8" PULLEY, PLASTIC		36	37	38	39	40	41	42	43	44	45	46
FOR STEEL HOUSE													
7504710	PLATE G-SHAPE HOOK		36	37	38	39	40	41	42	43	44	45	46
S-P874	SELF DRILLING SCREW SDS #14X1"		41	42	43	44	45	46	47	48	49	50	51
FOR WOODEN HOUSE													
S-7313	EYEBOLT 11/64-20X3 1/2 OPEN EYE		36	37	38	39	40	41	42	43	44	45	46



		System Length and Quantities									
Part #	Description	Meters	128	131	134	137	140	143	146	149	152
		Feet	420	430	440	450	460	470	480	490	500
CW-10021-8-MX	10' SQ PIPE (PITCH 8") W/MX NIPPLE		42	43	44	45	46	47	48	49	50
CW-5155	SQUARE PIPE ACCESSORIES		42	43	44	45	46	47	48	49	50
CW-10024	SCREW NIPPLE CUP		630	645	660	675	690	705	720	735	750
CW-5030-pz	10' SUPPORT PIPE 10'3" SWEDGED OD 27MM THICKNES		42	43	44	45	46	47	48	49	50
CW-10028	SQUARE PIPE REGULATOR C/W ACCESSORIES		2	2	2	2	2	2	2	2	2
CW-10020	END KIT (SQUARE PIPE)		2	2	2	2	2	2	2	2	2
CW-10025	AIR VENT (SQUARE PIPE)		2	2	2	2	2	2	2	2	2
CW-P013	PRESSURE REGULATOR		1	1	1	1	1	1	1	1	1
CW-P010	FILTER MEDICATOR KIT		1.0	1.0	1.0	1.0	1.0	1.0	1.0	1.0	1.0
CW-D25RE2	DOSATRON MEDICATOR 0.2% (1:500) TO 2% (1:50)		1	1	1	1	1	1	1	1	1
028-00242-P	METER WATER, DN20, BRASS, PULSE OUTPUT, 1.5m CABLE		1	1	1	1	1	1	1	1	1
CW-2011-P	FILTER CARTRIDGE (REPLACEMENT)		3	3	3	3	3	3	3	3	3
CW-5006	BRUSH - SIGHT GUAGE CLEANOUT		2	2	2	2	2	2	2	2	2
S-P400	PINCER, 8"		1	1	1	1	1	1	1	1	1
HDL1500	H-1500 RED WINCH REG. TYPE395		1	1	1	1	1	1	1	1	1
07097392GF-M5	Cable, 500', 1/8" 7X19 TS960MPa MBL7.6KN GALFAN COATING MASS: 25g/m2 (EN12385)		1	1	1	1	1	1	1	1	1
00401186GF-M5	CABLE, 500', 1/16" 7X7 TS1960MPa MBL2.1KN GALFAN COATING MASS: 23g/m2 (EN12385)		1	1	1	1	1	1	1	1	1
CW-2004	OPEN STACONS (1/8")		47	48	49	50	51	52	53	54	55
35-0018	AZUMA, PLASTIC NUT & BOLT		47	48	49	50	51	52	53	54	55
CW-2008-1M	1/8" CORD 1000 FT		0.4	0.4	0.4	0.5	0.5	0.5	0.5	0.5	0.5
07081400-HD	5' HAND CRANK-OVERHEAD WINCH HOT DIP GALV		ONE PER HOUSE								
H35-0030	7/8" PULLEY, PLASTIC		47	48	49	50	51	52	53	54	55
FOR STEEL HOUSE											
7504710	PLATE G-SHAPE HOOK		47	48	49	50	51	52	53	54	55
S-P874	SELF DRILLING SCREW SDS #14X1"		52	53	54	55	56	57	58	59	60
FOR WOODEN HOUSE											
S-7313	EYEBOLT 11/64-20X3 1/2 OPEN EYE		47	48	49	50	51	52	53	54	55



Watering for Square Pipe

System based on 10" center - 12 Nipples per 10ft section

Part #	Description	System Length and Quantities											
		Feet	Meters	61	64	67	70	73	76	79	82	85	88
CW-10021-10-MX	10' SQ PIPE (PITCH 10") W/MX NIPPLE	20	21	22	23	24	25	26	27	28	29	30	
CW-5155	SQUARE PIPE ACCESSORIES	20	21	22	23	24	25	26	27	28	29	30	
CW-10024	SCREW NIPPLE CUP	240	252	264	276	288	300	312	324	336	348	360	
CW-5030-pz	10' SUPPORT PIPE 10'3""-SWEDGED OD 27MM THICKNES	20	21	22	23	24	25	26	27	28	29	30	
CW-10028	SQUARE PIPE REGULATOR C/W ACCESSORIES	1	1	1	1	1	1	1	1	1	1	1	
CW-10020	END KIT (SQUARE PIPE)	2	2	2	2	2	2	2	2	2	2	2	
CW-10025	AIR VENT (SQUARE PIPE)	0	0	0	0	0	0	0	0	0	0	0	
CW-P013	PRESSURE REGULATOR	1	1	1	1	1	1	1	1	1	1	1	
CW-P010	FILTER MEDICATOR KIT	1.0	1.0	1.0	1.0	1.0	1.0	1.0	1.0	1.0	1.0	1.0	
CW-D25RE2	DOSATRON MEDICATOR 0.2% (1:500) TO 2% (1:50)	1	1	1	1	1	1	1	1	1	1	1	
028-00242-P	METER WATER, DN20, BRASS, PULSE OUTPUT, 1.5m CABLE	1	1	1	1	1	1	1	1	1	1	1	
CW-2011-P	FILTER CARTRIDGE (REPLACEMENT)	3	3	3	3	3	3	3	3	3	3	3	
CW-5006	BRUSH - SIGHT GUAGE CLEANOUT	2	2	2	2	2	2	2	2	2	2	2	
S-P400	PINCER, 8"	1	1	1	1	1	1	1	1	1	1	1	
HDL1500	H-1500 RED WINCH REG. TYPE395	1	1	1	1	1	1	1	1	1	1	1	
07097392GF-M5	Cable, 500' , 1/8" 7X19 TS960MPa MBL7.6KN GALFAN COATING MASS: 25g/m2 (EN12385)	1	1	1	1	1	1	1	1	1	1	1	
00401186GF-M5	CABLE, 500j , 1/16" 7X7 TS1960MPa MBL2.1KN GALFAN COATING MASS: 23g/m2 (EN12385)	1	1	1	1	1	1	1	1	1	1	1	
CW-2004	OPEN STACONS (1/8")	25	26	27	28	29	30	31	32	33	34	35	
35-0018	AZUMA, PLASTIC NUT & BOLT	25	26	27	28	29	30	31	32	33	34	35	
CW-2008-1M	1/8" CORD 1000 FT	0.2	0.2	0.2	0.2	0.2	0.3	0.3	0.3	0.3	0.3	0.3	
07081400-HD	5' HAND CRANK-OVERHEAD WINCH HOT DIP GALV	ONE PER HOUSE											
H35-0030	7/8" PULLEY, PLASTIC	25	26	27	28	29	30	31	32	33	34	35	
FOR STEEL HOUSE													
7504710	PLATE G-SHAPE HOOK	25	26	27	28	29	30	31	32	33	34	35	
S-P874	SELF DRILLING SCREW SDS #14X1"	30	31	32	33	34	35	36	37	38	39	40	
FOR WOODEN HOUSE													
S-7313	EYEBOLT 11/64-20X3 1/2 OPEN EYE	25	26	27	28	29	30	31	32	33	34	35	



		System Length and Quantities											
Part #	Description	Meters	94	97	100	104	107	110	113	116	119	122	125
		Feet	310	320	330	340	350	360	370	380	390	400	410
CW-10021-10-MX	10' SQ PIPE (PITCH 10") W/MX NIPPLE		31	32	33	34	35	36	37	38	39	40	41
CW-5155	SQUARE PIPE ACCESSORIES		31	32	33	34	35	36	37	38	39	40	41
CW-10024	SCREW NIPPLE CUP		372	384	396	408	420	432	444	456	468	480	492
CW-5030-pz	10' SUPPORT PIPE 10'3" SWEDGED OD 27MM THICKNES		31	32	33	34	35	36	37	38	39	40	41
CW-10028	SQUARE PIPE REGULATOR C/W ACCESSORIES		1	1	1	1	1	1	1	1	1	2	2
CW-10020	END KIT (SQUARE PIPE)		2	2	2	2	2	2	2	2	2	2	2
CW-10025	AIR VENT (SQUARE PIPE)		0	0	0	0	0	0	0	0	0	2	2
CW-P013	PRESSURE REGULATOR		1	1	1	1	1	1	1	1	1	1	1
CW-P010	FILTER MEDICATOR KIT		1.0	1.0	1.0	1.0	1.0	1.0	1.0	1.0	1.0	1.0	1.0
CW-D25RE2	DOSATRON MEDICATOR 0.2% (1:500) TO 2% (1:50)		1	1	1	1	1	1	1	1	1	1	1
028-00242-P	METER WATER, DN20, BRASS, PULSE OUTPUT, 1.5m CABLE		1	1	1	1	1	1	1	1	1	1	1
CW-2011-P	FILTER CARTRIDGE (REPLACEMENT)		3	3	3	3	3	3	3	3	3	3	3
CW-5006	BRUSH - SIGHT GUAGE CLEANOUT		2	2	2	2	2	2	2	2	2	2	2
S-P400	PINCER, 8"		1	1	1	1	1	1	1	1	1	1	1
HDL1500	H-1500 RED WINCH REG. TYPE395		1	1	1	1	1	1	1	1	1	1	1
07097392GF-M5	Cable, 500', 1/8" 7X19 TS960MPa MBL7.6KN GALFAN COATING MASS: 25g/m2 (EN12385)		1	1	1	1	1	1	1	1	1	1	1
00401186GF-M5	CABLE, 500', 1/16" 7X7 TS1960MPa MBL2.1KN GALFAN COATING MASS: 23g/m2 (EN12385)		1	1	1	1	1	1	1	1	1	1	1
CW-2004	OPEN STACONS (1/8")		36	37	38	39	40	41	42	43	44	45	46
35-0018	AZUMA, PLASTIC NUT & BOLT		36	37	38	39	40	41	42	43	44	45	46
CW-2008-1M	1/8" CORD 1000 FT		0.3	0.3	0.3	0.3	0.4	0.4	0.4	0.4	0.4	0.4	0.4
07081400-HD	5' HAND CRANK-OVERHEAD WINCH HOT DIP GALV		ONE PER HOUSE										
H35-0030	7/8" PULLEY, PLASTIC		36	37	38	39	40	41	42	43	44	45	46
FOR STEEL HOUSE													
7504710	PLATE G-SHAPE HOOK		36	37	38	39	40	41	42	43	44	45	46
S-P874	SELF DRILLING SCREW SDS #14X1"		41	42	43	44	45	46	47	48	49	50	51
FOR WOODEN HOUSE													
S-7313	EYEBOLT 11/64-20X3 1/2 OPEN EYE		36	37	38	39	40	41	42	43	44	45	46



		System Length and Quantities									
Part #	Description	Meters	128	131	134	137	140	143	146	149	152
		Feet	420	430	440	450	460	470	480	490	500
CW-10021-10-MX	10' SQ PIPE (PITCH 10") W/MX NIPPLE		42	43	44	45	46	47	48	49	50
CW-5155	SQUARE PIPE ACCESSORIES		42	43	44	45	46	47	48	49	50
CW-10024	SCREW NIPPLE CUP		504	516	528	540	552	564	576	588	600
CW-5030-pz	10' SUPPORT PIPE 10'3" SWEDGED OD 27MM THICKNES		42	43	44	45	46	47	48	49	50
CW-10028	SQUARE PIPE REGULATOR C/W ACCESSORIES		2	2	2	2	2	2	2	2	2
CW-10020	END KIT (SQUARE PIPE)		2	2	2	2	2	2	2	2	2
CW-10025	AIR VENT (SQUARE PIPE)		2	2	2	2	2	2	2	2	2
CW-P013	PRESSURE REGULATOR		1	1	1	1	1	1	1	1	1
CW-P010	FILTER MEDICATOR KIT		1.0	1.0	1.0	1.0	1.0	1.0	1.0	1.0	1.0
CW-D25RE2	DOSATRON MEDICATOR 0.2% (1:500) TO 2% (1:50)		1	1	1	1	1	1	1	1	1
028-00242-P	METER WATER, DN20, BRASS, PULSE OUTPUT, 1.5m CABLE		1	1	1	1	1	1	1	1	1
CW-2011-P	FILTER CARTRIDGE (REPLACEMENT)		3	3	3	3	3	3	3	3	3
CW-5006	BRUSH - SIGHT GUAGE CLEANOUT		2	2	2	2	2	2	2	2	2
S-P400	PINCER, 8"		1	1	1	1	1	1	1	1	1
HDL1500	H-1500 RED WINCH REG. TYPE395		1	1	1	1	1	1	1	1	1
07097392GF-M5	Cable, 500', 1/8" 7X19 TS960MPa MBL7.6KN GALFAN COATING MASS: 25g/m2 (EN12385)		1	1	1	1	1	1	1	1	1
00401186GF-M5	CABLE, 500', 1/16" 7X7 TS1960MPa MBL2.1KN GALFAN COATING MASS: 23g/m2 (EN12385)		1	1	1	1	1	1	1	1	1
CW-2004	OPEN STACONS (1/8")		47	48	49	50	51	52	53	54	55
35-0018	AZUMA, PLASTIC NUT & BOLT		47	48	49	50	51	52	53	54	55
CW-2008-1M	1/8" CORD 1000 FT		0.4	0.4	0.4	0.5	0.5	0.5	0.5	0.5	0.5
07081400-HD	5' HAND CRANK-OVERHEAD WINCH HOT DIP GALV		ONE PER HOUSE								
H35-0030	7/8" PULLEY, PLASTIC		47	48	49	50	51	52	53	54	55
FOR STEEL HOUSE											
7504710	PLATE G-SHAPE HOOK		47	48	49	50	51	52	53	54	55
S-P874	SELF DRILLING SCREW SDS #14X1"		52	53	54	55	56	57	58	59	60
FOR WOODEN HOUSE											
S-7313	EYEBOLT 11/64-20X3 1/2 OPEN EYE		47	48	49	50	51	52	53	54	55



Watering for Square Pipe

System based on 12" center - 10 Nipples per 10ft section

		System Length and Quantities												
Part #	Description	Meters	61	64	67	70	73	76	79	82	85	88	91	
		Feet	200	210	220	230	240	250	260	270	280	290	300	
CW-10021-12-MX	10' SQ PIPE (PITCH 12") W/MX NIPPLE		20	21	22	23	24	25	26	27	28	29	30	
CW-5155	SQUARE PIPE ACCESSORIES		20	21	22	23	24	25	26	27	28	29	30	
CW-10024	SCREW NIPPLE CUP		200	210	220	230	240	250	260	270	280	290	300	
CW-5030-pz	10' SUPPORT PIPE 10'3""-SWEDGED OD 27MM THICKNES		20	21	22	23	24	25	26	27	28	29	30	
CW-10028	SQUARE PIPE REGULATOR C/W ACCESSORIES		1	1	1	1	1	1	1	1	1	1	1	
CW-10020	END KIT (SQUARE PIPE)		2	2	2	2	2	2	2	2	2	2	2	
CW-10025	AIR VENT (SQUARE PIPE)		0	0	0	0	0	0	0	0	0	0	0	
CW-P013	PRESSURE REGULATOR		1	1	1	1	1	1	1	1	1	1	1	
CW-P010	FILTER MEDICATOR KIT		1.0	1.0	1.0	1.0	1.0	1.0	1.0	1.0	1.0	1.0	1.0	
CW-D25RE2	DOSATRON MEDICATOR 0.2% (1:500) TO 2% (1:50)		1	1	1	1	1	1	1	1	1	1	1	
028-00242-P	METER WATER, DN20, BRASS, PULSE OUTPUT, 1.5m CABLE		1	1	1	1	1	1	1	1	1	1	1	
CW-2011-P	FILTER CARTRIDGE (REPLACEMENT)		3	3	3	3	3	3	3	3	3	3	3	
CW-5006	BRUSH - SIGHT GUAGE CLEANOUT		2	2	2	2	2	2	2	2	2	2	2	
S-P400	PINCER, 8"		1	1	1	1	1	1	1	1	1	1	1	
HDL1500	H-1500 RED WINCH REG. TYPE395		1	1	1	1	1	1	1	1	1	1	1	
07097392GF-M5	Cable, 500' , 1/8" 7X19 TS960MPa MBL7.6KN GALFAN COATING MASS: 25g/m2 (EN12385)		1	1	1	1	1	1	1	1	1	1	1	
00401186GF-M5	CABLE, 500' , 1/16" 7X7 TS1960MPa MBL2.1KN GALFAN COATING MASS: 23g/m2 (EN12385)		1	1	1	1	1	1	1	1	1	1	1	
CW-2004	OPEN STACONS (1/8")		25	26	27	28	29	30	31	32	33	34	35	
35-0018	AZUMA, PLASTIC NUT & BOLT		25	26	27	28	29	30	31	32	33	34	35	
CW-2008-1M	1/8" CORD 1000 FT		0.2	0.2	0.2	0.2	0.2	0.3	0.3	0.3	0.3	0.3	0.3	
07081400-HD	5' HAND CRANK-OVERHEAD WINCH HOT DIP GALV		ONE PER HOUSE											
H35-0030	7/8" PULLEY, PLASTIC		25	26	27	28	29	30	31	32	33	34	35	
FOR STEEL HOUSE														
7504710	PLATE G-SHAPE HOOK		25	26	27	28	29	30	31	32	33	34	35	
S-P874	SELF DRILLING SCREW SDS #14X1"		30	31	32	33	34	35	36	37	38	39	40	
FOR WOODEN HOUSE														
S-7313	EYEBOLT 11/64-20X3 1/2 OPEN EYE		25	26	27	28	29	30	31	32	33	34	35	



		System Length and Quantities											
Part #	Description	Meters	94	97	100	104	107	110	113	116	119	122	125
		Feet	310	320	330	340	350	360	370	380	390	400	410
CW-10021-12-MX	10' SQ PIPE (PITCH 12") W/MX NIPPLE		31	32	33	34	35	36	37	38	39	40	41
CW-5155	SQUARE PIPE ACCESSORIES		31	32	33	34	35	36	37	38	39	40	41
CW-10024	SCREW NIPPLE CUP		310	320	330	340	350	360	370	380	390	400	410
CW-5030-pz	10' SUPPORT PIPE 10'3" SWEDGED OD 27MM THICKNES		31	32	33	34	35	36	37	38	39	40	41
CW-10028	SQUARE PIPE REGULATOR C/W ACCESSORIES		1	1	1	1	1	1	1	1	1	2	2
CW-10020	END KIT (SQUARE PIPE)		2	2	2	2	2	2	2	2	2	2	2
CW-10025	AIR VENT (SQUARE PIPE)		0	0	0	0	0	0	0	0	0	2	2
CW-P013	PRESSURE REGULATOR		1	1	1	1	1	1	1	1	1	1	1
CW-P010	FILTER MEDICATOR KIT		1.0	1.0	1.0	1.0	1.0	1.0	1.0	1.0	1.0	1.0	1.0
CW-D25RE2	DOSATRON MEDICATOR 0.2% (1:500) TO 2% (1:50)		1	1	1	1	1	1	1	1	1	1	1
028-00242-P	METER WATER, DN20, BRASS, PULSE OUTPUT, 1.5m CABLE		1	1	1	1	1	1	1	1	1	1	1
CW-2011-P	FILTER CARTRIDGE (REPLACEMENT)		3	3	3	3	3	3	3	3	3	3	3
CW-5006	BRUSH - SIGHT GUAGE CLEANOUT		2	2	2	2	2	2	2	2	2	2	2
S-P400	PINCER, 8"		1	1	1	1	1	1	1	1	1	1	1
HDL1500	H-1500 RED WINCH REG. TYPE395		1	1	1	1	1	1	1	1	1	1	1
07097392GF-M5	Cable, 500', 1/8" 7X19 TS960MPa MBL7.6KN GALFAN COATING MASS: 25g/m2 (EN12385)		1	1	1	1	1	1	1	1	1	1	1
00401186GF-M5	CABLE, 500', 1/16" 7X7 TS1960MPa MBL2.1KN GALFAN COATING MASS: 23g/m2 (EN12385)		1	1	1	1	1	1	1	1	1	1	1
CW-2004	OPEN STACONS (1/8")		36	37	38	39	40	41	42	43	44	45	46
35-0018	AZUMA, PLASTIC NUT & BOLT		36	37	38	39	40	41	42	43	44	45	46
CW-2008-1M	1/8" CORD 1000 FT		0.3	0.3	0.3	0.3	0.4	0.4	0.4	0.4	0.4	0.4	0.4
07081400-HD	5' HAND CRANK-OVERHEAD WINCH HOT DIP GALV		ONE PER HOUSE										
H35-0030	7/8" PULLEY, PLASTIC		36	37	38	39	40	41	42	43	44	45	46
FOR STEEL HOUSE													
7504710	PLATE G-SHAPE HOOK		36	37	38	39	40	41	42	43	44	45	46
S-P874	SELF DRILLING SCREW SDS #14X1"		41	42	43	44	45	46	47	48	49	50	51
FOR WOODEN HOUSE													
S-7313	EYEBOLT 11/64-20X3 1/2 OPEN EYE		36	37	38	39	40	41	42	43	44	45	46



		System Length and Quantities									
Part #	Description	Meters	128	131	134	137	140	143	146	149	152
		Feet	420	430	440	450	460	470	480	490	500
CW-10021-12-MX	10' SQ PIPE (PITCH 12") W/MX NIPPLE		42	43	44	45	46	47	48	49	50
CW-5155	SQUARE PIPE ACCESSORIES		42	43	44	45	46	47	48	49	50
CW-10024	SCREW NIPPLE CUP		420	430	440	450	460	470	480	490	500
CW-5030-pz	10' SUPPORT PIPE 10'3" SWEDGED OD 27MM THICKNES		42	43	44	45	46	47	48	49	50
CW-10028	SQUARE PIPE REGULATOR C/W ACCESSORIES		2	2	2	2	2	2	2	2	2
CW-10020	END KIT (SQUARE PIPE)		2	2	2	2	2	2	2	2	2
CW-10025	AIR VENT (SQUARE PIPE)		2	2	2	2	2	2	2	2	2
CW-P013	PRESSURE REGULATOR		1	1	1	1	1	1	1	1	1
CW-P010	FILTER MEDICATOR KIT		1.0	1.0	1.0	1.0	1.0	1.0	1.0	1.0	1.0
CW-D25RE2	DOSATRON MEDICATOR 0.2% (1:500) TO 2% (1:50)		1	1	1	1	1	1	1	1	1
028-00242-P	METER WATER, DN20, BRASS, PULSE OUTPUT, 1.5m CABLE		1	1	1	1	1	1	1	1	1
CW-2011-P	FILTER CARTRIDGE (REPLACEMENT)		3	3	3	3	3	3	3	3	3
CW-5006	BRUSH - SIGHT GUAGE CLEANOUT		2	2	2	2	2	2	2	2	2
S-P400	PINCER, 8"		1	1	1	1	1	1	1	1	1
HDL1500	H-1500 RED WINCH REG. TYPE395		1	1	1	1	1	1	1	1	1
07097392GF-M5	Cable, 500', 1/8" 7X19 TS960MPa MBL7.6KN GALFAN COATING MASS: 25g/m2 (EN12385)		1	1	1	1	1	1	1	1	1
00401186GF-M5	CABLE, 500', 1/16" 7X7 TS1960MPa MBL2.1KN GALFAN COATING MASS: 23g/m2 (EN12385)		1	1	1	1	1	1	1	1	1
CW-2004	OPEN STACONS (1/8")		47	48	49	50	51	52	53	54	55
35-0018	AZUMA, PLASTIC NUT & BOLT		47	48	49	50	51	52	53	54	55
CW-2008-1M	1/8" CORD 1000 FT		0.4	0.4	0.4	0.5	0.5	0.5	0.5	0.5	0.5
07081400-HD	5' HAND CRANK-OVERHEAD WINCH HOT DIP GALV		ONE PER HOUSE								
H35-0030	7/8" PULLEY, PLASTIC		47	48	49	50	51	52	53	54	55
FOR STEEL HOUSE											
7504710	PLATE G-SHAPE HOOK		47	48	49	50	51	52	53	54	55
S-P874	SELF DRILLING SCREW SDS #14X1"		52	53	54	55	56	57	58	59	60
FOR WOODEN HOUSE											
S-7313	EYEBOLT 11/64-20X3 1/2 OPEN EYE		47	48	49	50	51	52	53	54	55



Watering for Square Pipe

System based on 15" center - 8 Nipples per 10ft section

		System Length and Quantities											
Part #	Description	Meters	61	64	67	70	73	76	79	82	85	88	91
		Feet	200	210	220	230	240	250	260	270	280	290	300
CW-10021-15-MX	10' SQ PIPE (PITCH 15") W/MX NIPPLE	20	21	22	23	24	25	26	27	28	29	30	
CW-5155	SQUARE PIPE ACCESSORIES	20	21	22	23	24	25	26	27	28	29	30	
CW-10024	SCREW NIPPLE CUP	160	168	176	184	192	200	208	216	224	232	240	
CW-5030-pz	10' SUPPORT PIPE 10'3""-SWEDGED OD 27MM THICKNES	20	21	22	23	24	25	26	27	28	29	30	
CW-10028	SQUARE PIPE REGULATOR C/W ACCESSORIES	1	1	1	1	1	1	1	1	1	1	1	1
CW-10020	END KIT (SQUARE PIPE)	2	2	2	2	2	2	2	2	2	2	2	2
CW-10025	AIR VENT (SQUARE PIPE)	0	0	0	0	0	0	0	0	0	0	0	0
CW-P013	PRESSURE REGULATOR	1	1	1	1	1	1	1	1	1	1	1	1
CW-P010	FILTER MEDICATOR KIT	1.0	1.0	1.0	1.0	1.0	1.0	1.0	1.0	1.0	1.0	1.0	1.0
CW-D25RE2	DOSATRON MEDICATOR 0.2% (1:500) TO 2% (1:50)	1	1	1	1	1	1	1	1	1	1	1	1
028-00242-P	METER WATER, DN20, BRASS, PULSE OUTPUT, 1.5m CABLE	1	1	1	1	1	1	1	1	1	1	1	1
CW-2011-P	FILTER CARTRIDGE (REPLACEMENT)	3	3	3	3	3	3	3	3	3	3	3	3
CW-5006	BRUSH - SIGHT GUAGE CLEANOUT	2	2	2	2	2	2	2	2	2	2	2	2
S-P400	PINCER, 8"	1	1	1	1	1	1	1	1	1	1	1	1
HDL1500	H-1500 RED WINCH REG. TYPE395	1	1	1	1	1	1	1	1	1	1	1	1
07097392GF-M5	Cable, 500' , 1/8" 7X19 TS960MPa MBL7.6KN GALFAN COATING MASS: 25g/m2 (EN12385)	1	1	1	1	1	1	1	1	1	1	1	1
00401186GF-M5	CABLE, 500' , 1/16" 7X7 TS1960MPa MBL2.1KN GALFAN COATING MASS: 23g/m2 (EN12385)	1	1	1	1	1	1	1	1	1	1	1	1
CW-2004	OPEN STACONS (1/8")	25	26	27	28	29	30	31	32	33	34	35	
35-0018	AZUMA, PLASTIC NUT & BOLT	25	26	27	28	29	30	31	32	33	34	35	
CW-2008-1M	1/8" CORD 1000 FT	0.2	0.2	0.2	0.2	0.2	0.3	0.3	0.3	0.3	0.3	0.3	0.3
07081400-HD	5' HAND CRANK-OVERHEAD WINCH HOT DIP GALV	ONE PER HOUSE											
H35-0030	7/8" PULLEY, PLASTIC	25	26	27	28	29	30	31	32	33	34	35	
FOR STEEL HOUSE													
7504710	PLATE G-SHAPE HOOK	25	26	27	28	29	30	31	32	33	34	35	
S-P874	SELF DRILLING SCREW SDS #14X1"	30	31	32	33	34	35	36	37	38	39	40	
FOR WOODEN HOUSE													
S-7313	EYEBOLT 11/64-20X3 1/2 OPEN EYE	25	26	27	28	29	30	31	32	33	34	35	



		System Length and Quantities											
Part #	Description	Meters	94	97	100	104	107	110	113	116	119	122	125
		Feet	310	320	330	340	350	360	370	380	390	400	410
CW-10021-15-MX	10' SQ PIPE (PITCH 15") W/MX NIPPLE		31	32	33	34	35	36	37	38	39	40	41
CW-5155	SQUARE PIPE ACCESSORIES		31	32	33	34	35	36	37	38	39	40	41
CW-10024	SCREW NIPPLE CUP		248	256	264	272	280	288	296	304	312	320	328
CW-5030-pz	10' SUPPORT PIPE 10'3"-SWEDGED OD 27MM THICKNES		31	32	33	34	35	36	37	38	39	40	41
CW-10028	SQUARE PIPE REGULATOR C/W ACCESSORIES		1	1	1	1	1	1	1	1	1	2	2
CW-10020	END KIT (SQUARE PIPE)		2	2	2	2	2	2	2	2	2	2	2
CW-10025	AIR VENT (SQUARE PIPE)		0	0	0	0	0	0	0	0	0	2	2
CW-P013	PRESSURE REGULATOR		1	1	1	1	1	1	1	1	1	1	1
CW-P010	FILTER MEDICATOR KIT		1.0	1.0	1.0	1.0	1.0	1.0	1.0	1.0	1.0	1.0	1.0
CW-D25RE2	DOSATRON MEDICATOR 0.2% (1:500) TO 2% (1:50)		1	1	1	1	1	1	1	1	1	1	1
028-00242-P	METER WATER, DN20, BRASS, PULSE OUTPUT, 1.5m CABLE		1	1	1	1	1	1	1	1	1	1	1
CW-2011-P	FILTER CARTRIDGE (REPLACEMENT)		3	3	3	3	3	3	3	3	3	3	3
CW-5006	BRUSH - SIGHT GUAGE CLEANOUT		2	2	2	2	2	2	2	2	2	2	2
S-P400	PINCER, 8"		1	1	1	1	1	1	1	1	1	1	1
HDL1500	H-1500 RED WINCH REG. TYPE395		1	1	1	1	1	1	1	1	1	1	1
07097392GF-M5	Cable, 500', 1/8" 7X19 TS960MPa MBL7.6KN GALFAN COATING MASS: 25g/m2 (EN12385)		1	1	1	1	1	1	1	1	1	1	1
00401186GF-M5	CABLE, 500', 1/16" 7X7 TS1960MPa MBL2.1KN GALFAN COATING MASS: 23g/m2 (EN12385)		1	1	1	1	1	1	1	1	1	1	1
CW-2004	OPEN STACONS (1/8")		36	37	38	39	40	41	42	43	44	45	46
35-0018	AZUMA, PLASTIC NUT & BOLT		36	37	38	39	40	41	42	43	44	45	46
CW-2008-1M	1/8" CORD 1000 FT		0.3	0.3	0.3	0.3	0.4	0.4	0.4	0.4	0.4	0.4	0.4
07081400-HD	5' HAND CRANK-OVERHEAD WINCH HOT DIP GALV		ONE PER HOUSE										
H35-0030	7/8" PULLEY, PLASTIC		36	37	38	39	40	41	42	43	44	45	46
FOR STEEL HOUSE													
7504710	PLATE G-SHAPE HOOK		36	37	38	39	40	41	42	43	44	45	46
S-P874	SELF DRILLING SCREW SDS #14X1"		41	42	43	44	45	46	47	48	49	50	51
FOR WOODEN HOUSE													
S-7313	EYEBOLT 11/64-20X3 1/2 OPEN EYE		36	37	38	39	40	41	42	43	44	45	46



		System Length and Quantities									
Part #	Description	Meters	128	131	134	137	140	143	146	149	152
		Feet	420	430	440	450	460	470	480	490	500
CW-10021-15-MX	10' SQ PIPE (PITCH 15") W/MX NIPPLE		42	43	44	45	46	47	48	49	50
CW-5155	SQUARE PIPE ACCESSORIES		42	43	44	45	46	47	48	49	50
CW-10024	SCREW NIPPLE CUP		336	344	352	360	368	376	384	392	400
CW-5030-pz	10' SUPPORT PIPE 10'3" SWEDGED OD 27MM THICKNES		42	43	44	45	46	47	48	49	50
CW-10028	SQUARE PIPE REGULATOR C/W ACCESSORIES		2	2	2	2	2	2	2	2	2
CW-10020	END KIT (SQUARE PIPE)		2	2	2	2	2	2	2	2	2
CW-10025	AIR VENT (SQUARE PIPE)		2	2	2	2	2	2	2	2	2
CW-P013	PRESSURE REGULATOR		1	1	1	1	1	1	1	1	1
CW-P010	FILTER MEDICATOR KIT		1.0	1.0	1.0	1.0	1.0	1.0	1.0	1.0	1.0
CW-D25RE2	DOSATRON MEDICATOR 0.2% (1:500) TO 2% (1:50)		1	1	1	1	1	1	1	1	1
028-00242-P	METER WATER, DN20, BRASS, PULSE OUTPUT, 1.5m CABLE		1	1	1	1	1	1	1	1	1
CW-2011-P	FILTER CARTRIDGE (REPLACEMENT)		3	3	3	3	3	3	3	3	3
CW-5006	BRUSH - SIGHT GUAGE CLEANOUT		2	2	2	2	2	2	2	2	2
S-P400	PINCER, 8"		1	1	1	1	1	1	1	1	1
HDL1500	H-1500 RED WINCH REG. TYPE395		1	1	1	1	1	1	1	1	1
07097392GF-M5	Cable, 500', 1/8" 7X19 TS960MPa MBL7.6KN GALFAN COATING MASS: 25g/m2 (EN12385)		1	1	1	1	1	1	1	1	1
00401186GF-M5	CABLE, 500', 1/16" 7X7 TS1960MPa MBL2.1KN GALFAN COATING MASS: 23g/m2 (EN12385)		1	1	1	1	1	1	1	1	1
CW-2004	OPEN STACONS (1/8")		47	48	49	50	51	52	53	54	55
35-0018	AZUMA, PLASTIC NUT & BOLT		47	48	49	50	51	52	53	54	55
CW-2008-1M	1/8" CORD 1000 FT		0.4	0.4	0.4	0.5	0.5	0.5	0.5	0.5	0.5
07081400-HD	5' HAND CRANK-OVERHEAD WINCH HOT DIP GALV		ONE PER HOUSE								
H35-0030	7/8" PULLEY, PLASTIC		47	48	49	50	51	52	53	54	55
FOR STEEL HOUSE											
7504710	PLATE G-SHAPE HOOK		47	48	49	50	51	52	53	54	55
S-P874	SELF DRILLING SCREW SDS #14X1"		52	53	54	55	56	57	58	59	60
FOR WOODEN HOUSE											
S-7313	EYEBOLT 11/64-20X3 1/2 OPEN EYE		47	48	49	50	51	52	53	54	55



Floor Nipple Kit with Square Pipe and S/S Nipple

Part#	Description	Lbs.	Kgs.	Price
CW-10021-6-MX	10' SQ PIPE (PITCH 6") W/MX NIPPLE	2.53	1.15	47.98
CW-10021-8-MX	10' SQ PIPE (PITCH 8") W/MX NIPPLE	2.38	1.08	37.65
CW-10021-10-MX	10' SQ PIPE (PITCH 10") W/MX NIPPLE	2.31	1.05	31.46
CW-10021-12-MX	10' SQ PIPE (PITCH 12") W/MX NIPPLE	2.24	1.02	27.32
CW-10021-15-MX	10' SQ PIPE (PITCH 15") W/MX NIPPLE	2.20	1.00	23.19

Floor Nipple Kit with Square Pipe and Plastic Nipple

Part#	Description	Lbs.	Kgs.	Price
CW-10021-6-MXP	10' SQ PIPE (PITCH 6") W/MXP	2.27	1.03	33.54
CW-10021-8-MXP	10' SQ PIPE (PITCH 8") W/MXP	2.18	0.99	27.13
CW-10021-10-MXP	10' SQ PIPE (PITCH 10") W/MXP	2.13	0.97	23.30
CW-10021-12-MXP	10' SQ PIPE (PITCH 12") W/MXP	2.11	0.96	20.73
CW-10021-15-MXP	10' SQ PIPE (PITCH 15") W/MXP	2.09	0.95	18.17

Square Pipe Nipple

Part#	Description	Lbs.	Kgs.	Price
CW-10015	SCREW NIPPLE (S.S.) 360 DEGREE	0.02	0.01	2.26
CW-P10013	SCREW NIPPLE (Plastic) 360 DEGREE	0.02	0.01	1.46

Regulators, Drink Cups, End Kits & Air Vent for Square Pipe

Part#	Description	Lbs.	Kgs.	Price
CW-10028	SQUARE PIPE REGULATOR C/W ACCESSORIES	4.40	2.00	120.65
CW-10024	SCREW NIPPLE CUP	0.07	0.03	0.54
CW-10024-H	SCREW NIPPLE CUP, GSI LOGO	0.07	0.03	0.54
CW-9311	CUP, SQUARE DRINKER	0.07	0.03	0.72
CW-10020	END KIT (SQUARE PIPE)	1.65	0.75	32.18
CW-10025	AIR VENT (SQUARE PIPE)	1.50	0.68	26.47
CW-P021	SEAL, O-RING, OD 15.8MM, ID 9.8MM, T3.0MM, VITON, J009VF	0.00	0.00	33.46
CW-BN1009	END KIT ASSY W ROUND TO SQUARE CONNECTOR (CUMBERLAND)	1.41	0.64	67.72
CW-10025	AIR VENT (SQUARE PIPE)	1.50	0.68	26.47



Regulator, End Kits & Air Vents Spare Parts

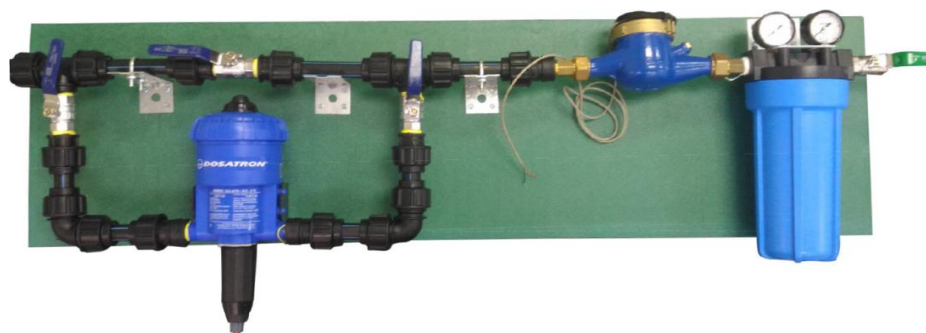
Part#	Description	Lbs.	Kgs.	Price
CW-3001	DIAPHRAGM, REGULATOR	0.09	0.04	3.90
CW-3021-P	SEAL INTERNAL PLUNGER SANTOPRENE	0.00	0.00	0.54
CW-3001K	REPAIR KIT, REGULATOR	0.09	0.04	3.84
CW-3013	DIAPHRAGM PADDLE, REGULATOR	0.13	0.06	0.89
CW-3011	INTERNAL PLUNGER RETAINER	0.00	0.00	0.23
CW-3014R1	FLUSH LEVER, REGULATOR	0.02	0.01	0.66
CW-3018	END CAP, REGULATOR	0.04	0.02	1.12
CW-3019	REGULATOR MOUNT BRACKET	0.26	0.12	3.68
CW-3023	TOP WELDMENT, REGULATOR	0.75	0.34	6.67
CW-3024	INLET ASSEMBLY	0.07	0.03	2.65



Part#	Description	Lbs.	Kgs.	Price
CW-3026	DIAPHRAM ASSEMBLY	0.29	0.13	9.92
CW-3027	ADJUSTER ASSEMBLY	0.00	0.00	1.76
CW-3040-P	ADJUSTER KNOB ASSEMBLY	0.07	0.03	1.70
CW-5027	O-RING, T0.103" X ID1.049"	0.02	0.01	0.34
CW-3065	END KIT HOUSING (CUMBERLAND)	0.18	0.08	25.23
CW-10054	END KIT HOUSING	0.09	0.04	10.34
CW-10055	AIR VENT WELD ASSY	0.09	0.04	8.00
CW-10016	SQUARE ADAPTER	0.04	0.02	0.60

Watering System Items for Square Pipe

Part#	Description	Lbs.	Kgs.	Price
CW-5155	SQUARE PIPE ACCESSORIES	0.00	0.00	3.36
CW-10018-1	SQUARE TO SQUARE PVC CONNECTOR	0.09	0.04	0.82
CW-3066	OTR 1E.CLP (28.5-31.6MM)	0.02	0.01	0.80
CW-10019	SQUARE TO ROUND CONNECTOR	0.11	0.05	1.55
S-P397	OETIKER 1-EAR CLAMP SIZE 34.6MM	0.13	0.06	1.27
CW-3066	OTR 1E.CLP (28.5-31.6MM)	0.02	0.01	0.80
CW-10016	SQUARE ADAPTER	0.04	0.02	0.60
07502493	PIPE, MANAGEMENT HI-LO PAN & WATERING	0.62	0.28	10.12
CW-10048	FLUSH ASSEMBLY CAP	0.00	0.00	0.31
CW-10052	FLUSH ASSEMBLY INSERT	0.00	0.00	0.41
CW-9142	O-RING #2-013	0.00	0.00	0.15
S-P400	PINCER, 8"	0.09	0.04	21.22
CW-3067-B	BRASS SHUT OFF VALVE	0.24	0.11	10.77
CW-3022	BRAZIL SPACER, REGULATOR	0.26	0.12	0.68
CW-2003	CORD ADJUSTERW/O LOGO	0.00	0.00	0.42
CW-2003-P	CORD ADJUSTER W CUMBERLAND LOGO	0.00	0.00	0.32
CW-5031	SPRING,SUS1.35XOD10.6XBL59MMSRING,SS 3"OAL X 4.18 OD	0.04	0.02	1.06
CW-9051	FLEX GUAGE TUBE	0.22	0.10	3.68
CW-9052	SPRING 22"FOR SIGHT GUAGE TUBE	0.20	0.09	9.43
CW-9600	HOSE CLAMP-3\4"-7\8" BLK NYLON	0.04	0.02	0.69
CW-2072-10M	HOSE, GARDEN, GREEN, 10M PER ROLL, ID 15.9MM, THICKNESS 2.5MM	4.40	2.00	22.89
CW-5006	BRUSH - SIGHT GUAGE CLEANOUT	0.20	0.09	2.93



Filtration and Medication

Part#	Description	Lbs.	Kgs.	Price
CW-D25RE2	DOSATRON MEDICATOR 0.2% (1:500) TO 2% (1:50)	4.03	1.83	854.91
CW-2022	SP-7915 HN55 MEDICATOR CH9000-310 1:100 RATIO WITH FG9410-V	5.72	2.60	837.66
CW-2022-AL	HN 55 CHEMILIZER MOTOR & ADJUSTABLE LOWER END WITH VITON SEALS (0.6% - 2%)	6.93	3.15	979.84
CW-2025	FILTER & FTR/MEDICATOR MANIFLD	7.04	3.20	148.00
028-00242-P	METER WATER, DN20, BRASS, PULSE OUTPUT, 1.5m CABLE	3.70	1.68	237.84
CW-P013	PRESSURE REGULATOR	0.95	0.43	79.21
CW-P010	FILTER MEDICATOR KIT	9.59	4.36	178.31
CW-P015	FILTER MEDICATOR KIT COMPLETE ASSEMBLY	36.74	16.70	1254.74
CW-2023	CP33 CHEMICAL INJECTOR C/W CH6000-211M 24GPH VITON	7.44	3.38	1101.97
CW-2017-RW	FILTER HOUSING ONLY W/ 2 THREADED HOLES	0.00	0.00	47.78
CW-4022-P	GUAGE FOR FILTER (0-100 PSI)	0.24	0.11	21.22
CW-2011-P	FILTER CARTRIDGE (REPLACEMENT)	0.33	0.15	7.13

Winching Components for Watering System

Part#	Description	Lbs.	Kgs.	Price
HDL1500	H-1500 RED WINCH REG. TYPE395	11.66	5.30	78.55
07097392GF-M5	Cable, 500' , 1/8" 7X19 TS960MPa MBL7.6KN GALFAN COATING MASS: 25g/m2 (EN12385)	14.96	6.80	112.88
00401186GF-M5	CABLE, 500j , 1/16" 7X7 TS1960MPa MBL2.1KN GALFAN COATING MASS: 23g/m2 (EN12385)	4.09	1.86	46.04
CW-2004	OPEN STACONS (1/8")	0.00	0.00	0.85
35-0018	AZUMA, PLASTIC NUT & BOLT	0.02	0.01	0.49
CW-2008-1M	1/8" CORD 1000 FT	4.64	2.11	74.88
07081400-HD	5' HAND CRANK-OVERHEAD WINCH HOT DIP GALV	4.05	1.84	21.64
H35-0030	7/8" PULLEY, PLASTIC	0.04	0.02	0.88
7504710	PLATE G-SHAPE HOOK	0.09	0.04	0.86
S-P874	SELF DRILLING SCREW SDS #14X1"	0.02	0.01	0.18
S-7313	EYEBOLT 11/64-20X3 1/2 OPEN EYE	0.04	0.02	1.15